

產品內容

AR-727iV3

1 主產品



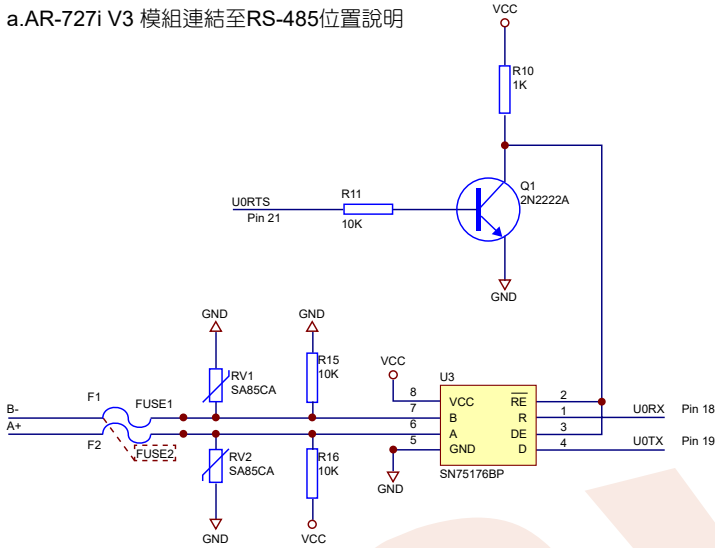
- AR-727iV3 支援有多種乙太網路通訊協定(TCP Server/TCP)，讓串列設備能夠立即連網。
- AR-727iV3 的體積精巧，僅 52 x 30 mm 的大小連信用卡的一半都不到，可以輕鬆地將 AR-727iV3 與串列設備整合，使串列設備以 10/100M 的速率連網。

產品規格

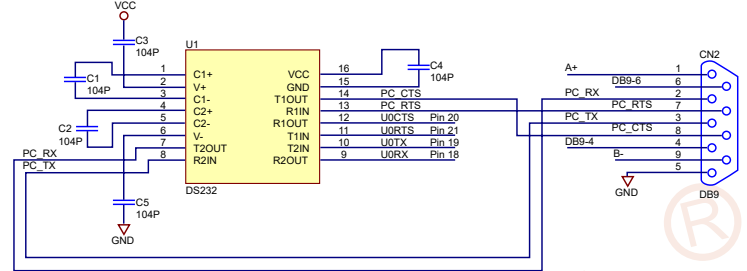
工作電壓	5VDC
消耗功率	<0.5W
特殊支援	AUTO MDI/MDIX
轉換介面	10/100M Base T Ethernet ↔ UART(TTL)
串列介面速率	4800bps-115200bps
通訊協定	ARP, IP, TCP Client, UDP, ICMP, HTTP, DHCP, NetBIOS, SNMP V1, V2, V3

模組連結配線圖

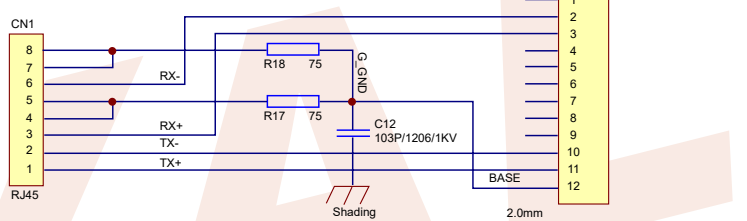
a. AR-727i V3 模組連結至 RS-485 位置說明



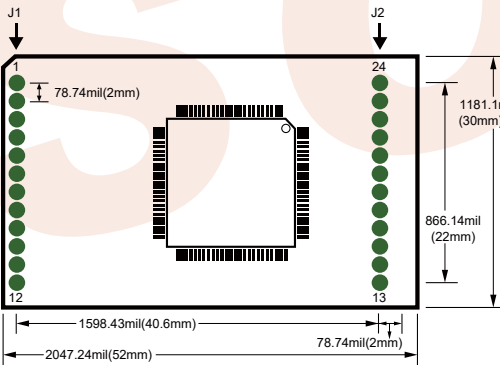
b. AR-727i V3 模組連結至 RS-232 位置說明



c. AR-727i V3 模組連結至 RJ-45 位置說明



功能說明



J1

Pin No.	Signal	Description
1	5V	Power input.
2	NET RX(-)	Ethernet Network Receive Data(-).
3	NET RX(+)	Ethernet Network Receive Data(+).
4	5V	Power input
5	BUSY LED	Low active for external LED Driver to indicate busy status.
6	LINK LED	Low active for external LED Driver to indicate cable connected status.
7	ACT LED	Low active for external LED Driver to indicate TCP/UDP connect status.
8	RX/TX LED	Low active for external LED Driver to indicate Ethernet RX/TX status.
9	GND	Power input.
10	NET TX(-)	Ethernet Network Tranceive Data(-).
11	NET TX(+)	Ethernet Network Tranceive Data(+).
12	BASE	Connect to shading through 103P/2KV capacitor.

J2

Pin No.	Signal	Description
24	GND	Power input.
23	Reserved	
22	Reserved	
21	U0 RTS	UART channel 0 Request to Send.
20	U0 CTS	UART channel 0 Clear to Send.
19	U0 TX	UART channel 0 Tranceive Data.
18	U0 RX	UART channel 0 Receive Data.
17	Factory Reset	Connect to ground more then 3 seconds will reset the module to Factory Default Value.
16	DHCP	AR-727i support Auto Configuration of the IP and gateway addresses and subnet mask function, but must make sure the DHCP Server is active.
15	50Hz	50Hz square ware output for external watchdog strobe use.
14	Reset	Low active. System reset input.
13	GND	Power input.