



Software Manual

Lift Control

System Requirements

- Operating System: Win7/ Win10, Windows Server 2012/2016/2018, hyper V
- Processor Server: Intel® Pentium® and above
- Installed Memory (RAM): min. 8GB
- Hard Disk: 80GB of free space
- Built-in 10/100M RJ-45 networking and USB transmission interface



Table of Contents

1	Main Features	
		1-1 Lift Control Main Feature Introduction..... 01
		1-2 Applicable Model..... 01
2	System Structure	
		2-1 Enterprise Series Controller..... 01
		2-2 Home Series Controller..... 02
3	Software Operation 02
4	Reference	
		4-1 FAQ 05
		4-2 YouTube Videos..... 05

1. Main Features / 2. System Structure

1. Main Features

Lift Control Main Feature Introduction

- Lift Control software can allow the designated floors in the lift to set up to 16 sets of Auto-open zone, during the period of Auto-open zone, the user can directly press the designated floor buttons without swiping the valid card; the manager can also remotely release the designated floor through the software, which is convenient for the visitor or the resident who forgot to bring their card to use the lift.



1-2 / Applicable Models

- Enterprise Series Controller with upgrading the customized firmware for Auto Lift function



Applicable Model Name:
AR-725-E / AR-331-E & EF /
AR-837-E & EF / AR-727-E /
AR-327-E

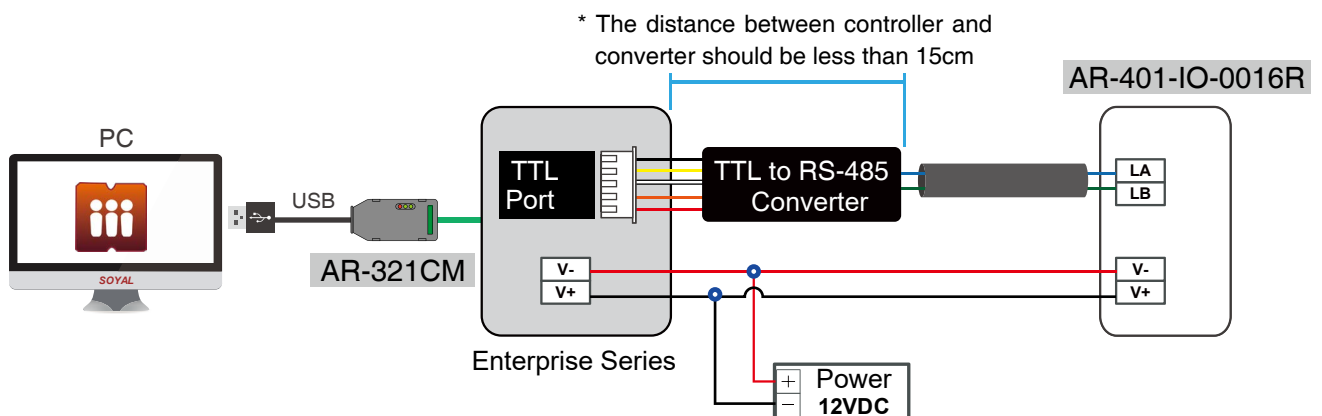
- Home Series Controller with upgrading the customized firmware for Auto Lift function



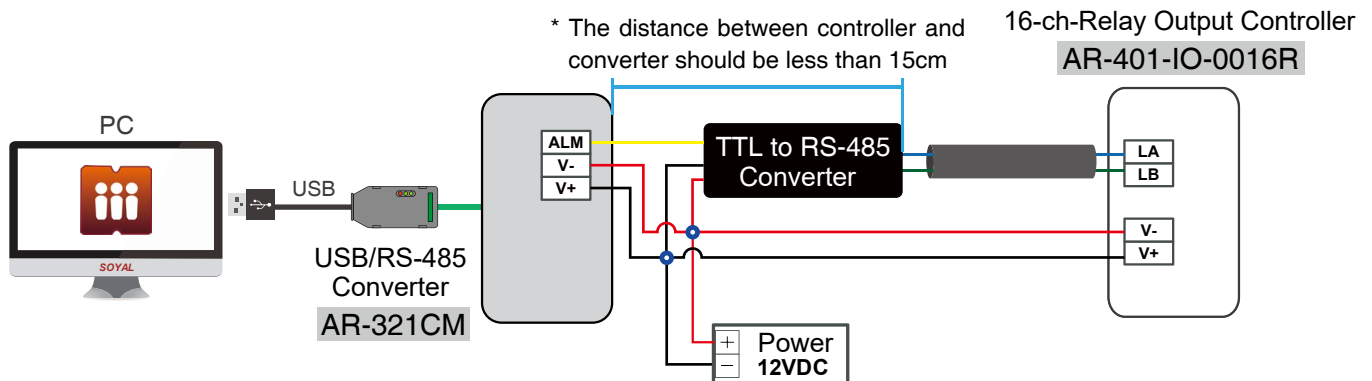
Applicable Model Name:
AR-725-H / AR-321-H /
AR-888-H / AR-331-H

2. System Structure


2-1 / Wiring and Diagram Structure for Enterprise Series Controller

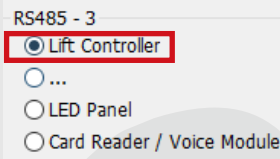


2-2 / Wiring and Diagram System Structure for Home Series Controller




Note :

- Please make sure to install USB Driver before running the software.
- After installing SoyalToolSetup , Lift Control software can be found on computer.
- Enterprise Series Controller must select UAR3 (CN9) as lift control output port.



3. Software Operation Steps

- Execute Lift Control:

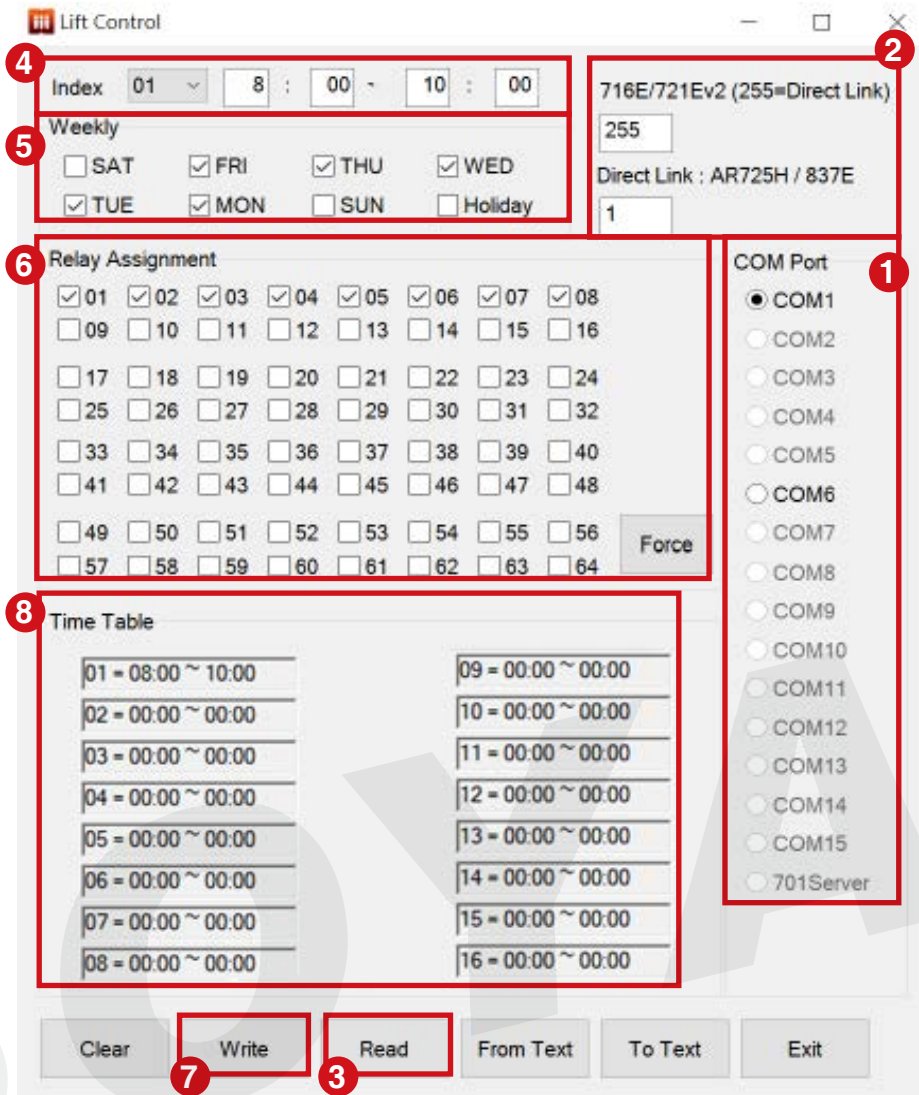
After installing SoyalToolSetup , Run Lift Control on your computer,
 On your computer > Start > Soyal Software folder > click to run Lift Control



Note :

- If your computer has running 701 Server software, you need to close 701Server before running this software to avoid communication port being occupied

3. Software Operation Steps



STEP 1 : Select the COM Port of the actual connected device; or communicate via 701Server

※ Note :

- (1) If you are choosing COM Port, please close 701Server before running the software to avoid communication port being occupied
- (2) If you are choosing 701Server, you have to run 701 Server before running the software.

STEP 2 : Enter the Node ID of the controller

※ Note :

- (1) If you are connected to multi door controller, enter the Node ID of Multi-door control panel in the first field; otherwise, if your structure is not connected via Multi-door control panel, please keep the default Number 255 without change.
- (2) The second field should be enter the Node ID of the controller reader in the lift.

3. Software Operation Steps

STEP 3 : Click 【Read】 to read the current setting from controller.

STEP 4 : Set up Time Zone and Set, the software allows to set up to 16 sets of Auto-open Time Zone by selecting Index 01~16 on Drop-down bar ;
For example: Enter start and end time 8:00~10:00

STEP 5 : Select which day you want to enable Auto-open time zone by ticking the box

STEP 6 : Select Access Floors (Corresponding to Relay01~64 of the lift controller)

※ Note :

(1) If click button 【Force】 , the designated floor relay can be immediately released, which is generally used by the manager to remotely open the floor buttons for the visitor or the resident who forgot to bring their card

(2) 【 Force 】 function is to force open or force close (latch mode).

To enable, select which floor and node ID you want to force open

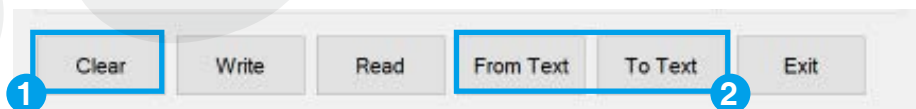
> click [Force]

To disable, untick the box> select which floor and node ID you want to

force close> click [Force]

STEP 7 : After complete all configuration, select 【Write】 to save setting to controller.

STEP 8 : Time Table displays the current Auto-open time zone sets with Start time and End Time.



① Clear : can clear all of setting to restore the initial screen of the software

② From Text / To Text :

can allow the manager to export/import 16 sets of Auto-open time zone setting through Text file, which is convenient and quick to operate the software for the manager.

```

lift.txt - 記事本
檔案(F) 編輯(E) 格式(O) 檢視(V) 說明
000, 00:00, 00:00, 01-32:xxxx, xxxx, 33-64:xxxx, Sat-Fri-Thu-Wed-Tue-Mon-Sun-Holi:x x
001, 00:00, 00:00, 01-32:xxxx, xxxx, 33-64:xxxx, Sat-Fri-Thu-Wed-Tue-Mon-Sun-Holi:x x
002, 00:00, 00:00, 01-32:xxxx, xxxx, 33-64:xxxx, Sat-Fri-Thu-Wed-Tue-Mon-Sun-Holi:x x
003, 00:00, 00:00, 01-32:xxxx, xxxx, 33-64:xxxx, Sat-Fri-Thu-Wed-Tue-Mon-Sun-Holi:x x
    
```

4. Reference

4. Reference

4-1 / FAQ

- [Enabling free access time zone for specific floors via Lift Control software](#)
- [There is a 15-storey mixed-type residential building. How to set the software for floor control at a specified time?](#)
- [Application of Lift control](#)

4-2 / YouTube Videos

- [《Lift Control & Fingerprint Enroll》 Lift Control & EnrollTool Features Guide](#)

SOYAL[®]