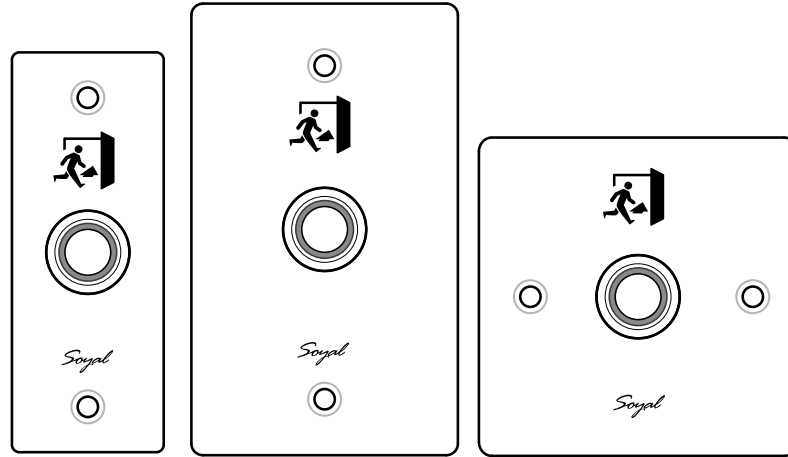


Stainless LED push button AR-PB2



1. Product Features

- Flush mounted design is thin and aesthetics, full stainless steel material make it durable.
- Three types for installation on various sites: Slim type, US type and EU type.
- Weather resistance design for indoor and outdoor use.
- Welcome customized logo with laser engraving on the panel to enhance the overall image quality of the building or community.

3. How to Order

AR-PB2	XXXXXX	X
	<p>Housing</p> <p>041108= Slim US 072122= Rectangle US 086086= Square EU</p>	<p>Color</p> <p>B= Blue GR= Green/Red</p>

Table of Contents

01. Content	01
02. Specification	01
03. Dimmension (mm)	01
04. Wiring Table	01
05. Wiring Diagram	02

01. Content

1 Product

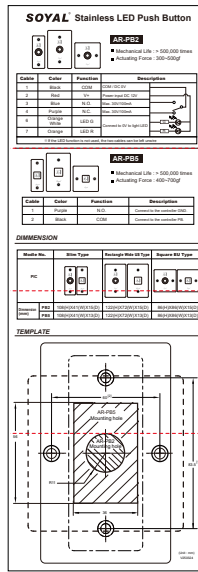


Slim US Type : AR-PB2-041108

Rectangle US Type : AR-PB2-072122

Square EU Type : AR-PB2-086086

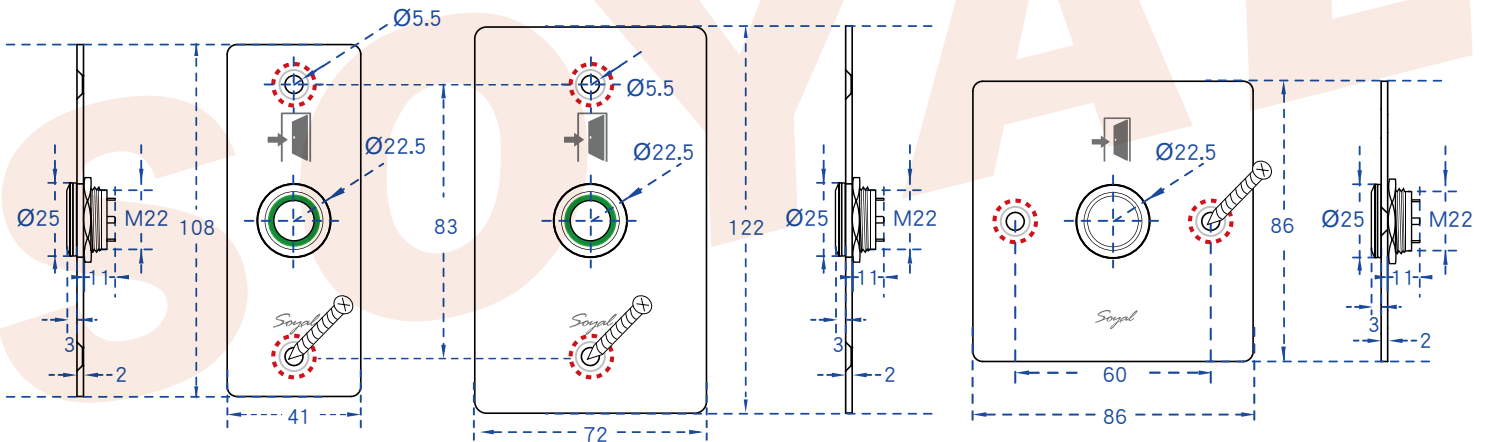
2 Installation Hole Template



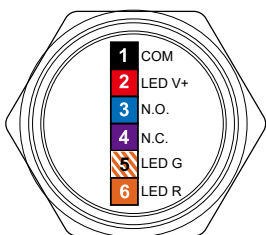
02. Specification

- Contact capacity : 30VDC/100mA
- LED : DC 12V
- Selenoid test : Over 500,000 times
- Output contact : N.O. / N.C.
- Travel : <0.7mm
- Actuating Force : ≤3N
- Operating Temperature : -20°C ~ 65°C

03. Dimension (mm)



04. Wiring Table



Cable:

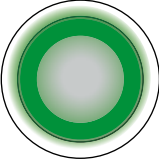
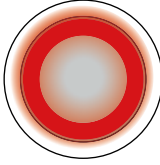
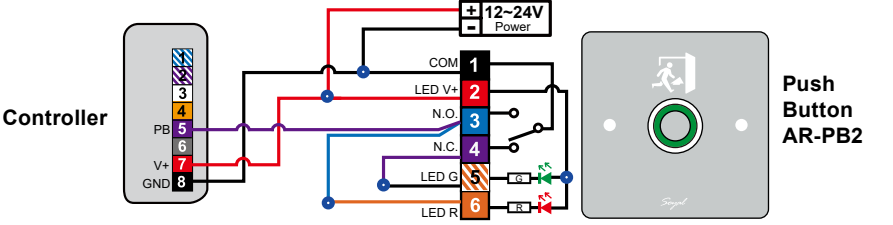
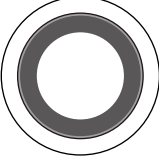
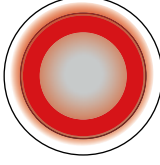
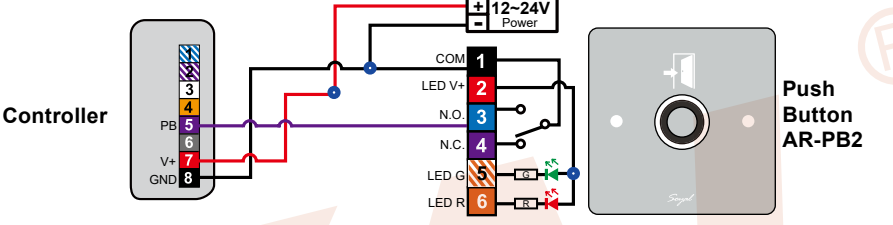
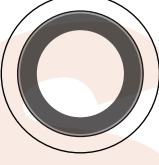
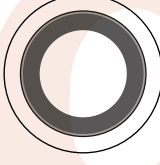
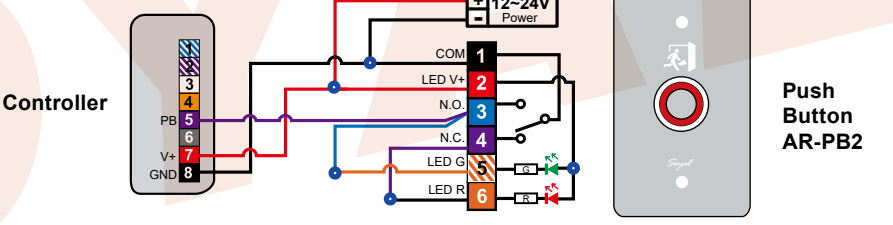
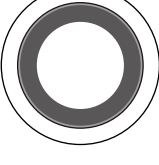
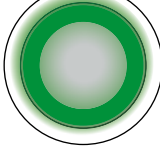
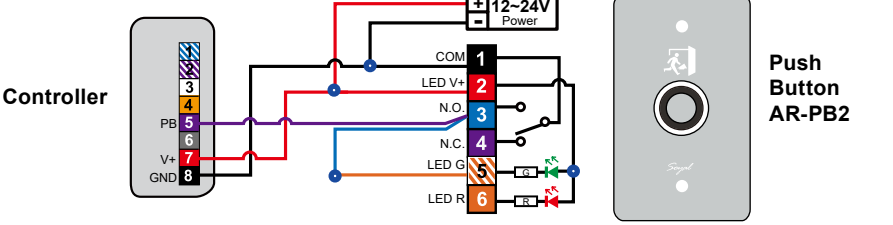
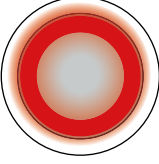
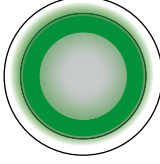
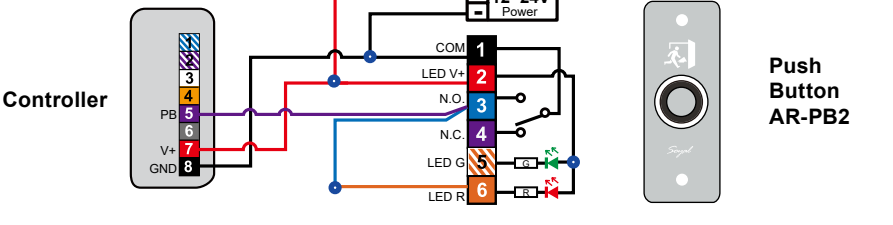
	Wire Application	Color	Description
Contact	COM	Black	COM
	V+	Red	LED V+
	N.O.	Blue	Contact
	N.C.	Purple	Contact
	LED G	Orange White	
	LED R	Orange	

※ Note:

LED Stainless Steel Push Button AR-PB2 Series support operating voltage DC12-24V. When wiring to DC12V could directly enable built-in LED indicator. When wiring to DC24V required to wire 1000Ω resistor to enable the built-in LED then wire to LED V+

05. Wiring Diagram

Connect to Controller

Standby status indicator	Action status indicator	Wiring Diagram
		 <p>Controller</p> <p>Push Button AR-PB2</p>
		 <p>Controller</p> <p>Push Button AR-PB2</p>
		 <p>Controller</p> <p>Push Button AR-PB2</p>
		 <p>Controller</p> <p>Push Button AR-PB2</p>
		 <p>Controller</p> <p>Push Button AR-PB2</p>

Indicator light changes triggered by the opening button action

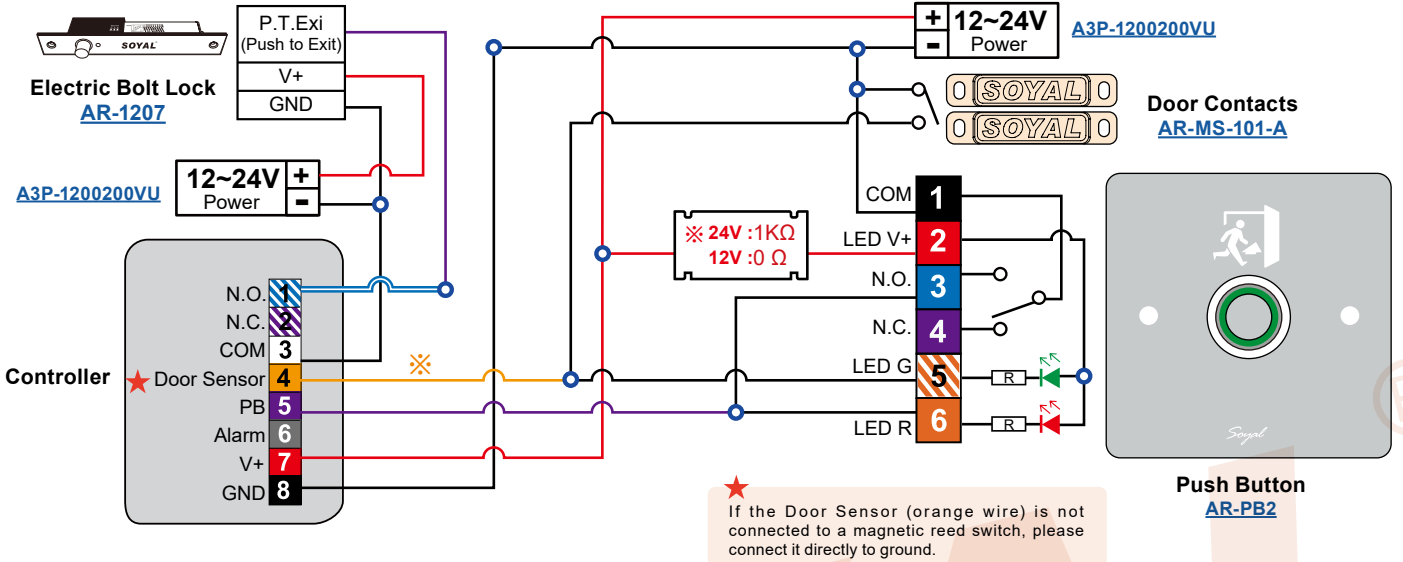
- Green LED: Displaying green light when the door is securely closed.
- Red LED: Displaying red light when the push button has been triggered.

※ Note:

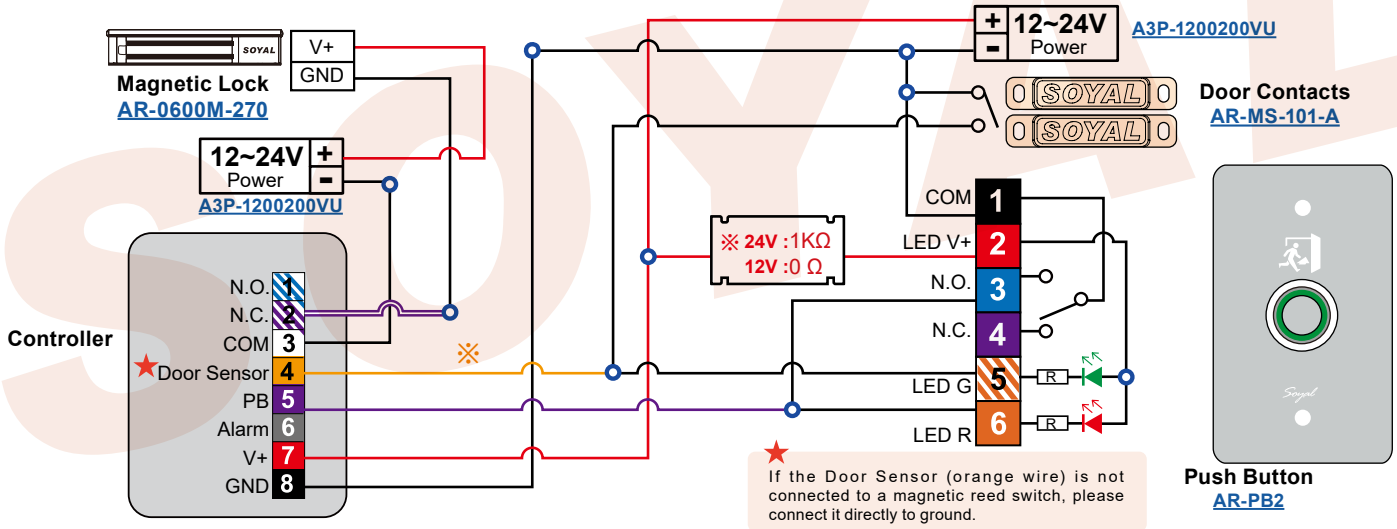
When using 24V power supply, please connect the V+ wiring with 1k Ω (ohm) resistor; when using 12V power supply, please connect V+ wiring directly.

※ Suggestion: Connect this wire for increased security.

1. Connect to Controller & Electric Bolt Lock



2. Connect to Controller & Magnetic Lock



Lock position action triggers indicator light changes

