

Contents

AR-MS-101-A/C : Door Contacts

1 Product



AR-MS-101-A/C(Surface Mount)



AR-MS-101-A/C(Flush Mount)

Features

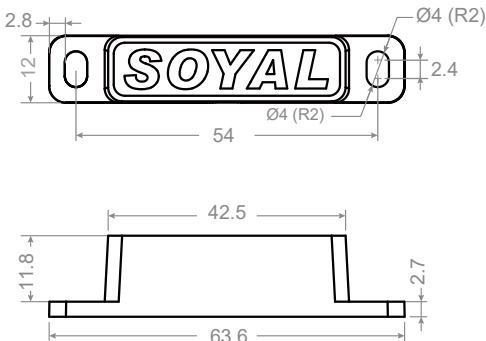
Be used to install on the door frame and door panel to detect the open/close status of the door.
After connecting with controller, an alarm can be triggered immediately through the controller when the door contacts detects the door wedged.

Specification

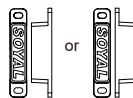
Product No.	AR-MS-101-A	AR-MS-101-C	AR-MS-102-A
Contact	2 PIN	3 PIN	2 PIN
Magnetic Door Contacts	Type A	Type C	Type A
Contact Type	N.O. (Normally Open - A Type - No Magnetic Field Interruption)	N.O. + N.C. (C Type)	N.O. (Normally Open - A Type - No Magnetic Field Interruption)
Sensing Distance	15MM - 25MM		
Switching Voltage/Current	24VDC / 30mA ; 12VDC / 50mA		
Application	This product is for signal use only and cannot switch power directly. To switch power, an external relay board is required.		
Housing Material	ABS		
Color	Beige / Brown		White
Dimension (mm)	12(H)X63.6(W)X14.5(D)		Magnet Diameter: 12x14mm Switch Diameter: 12x18mm

Installation

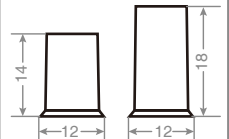
AR-MS-101-A/C



Installation Methods



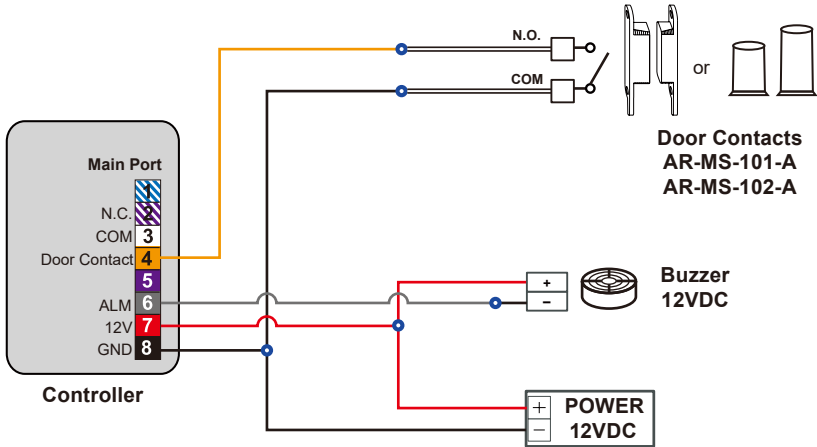
AR-MS-102-A



Wiring Diagram

AR-MS-101-A

Door Open Too Long Alarm Wiring Method (External Door Contacts)



AR-MS-101-C

Door Open Too Long Alarm Wiring Method (External Door Contacts)

