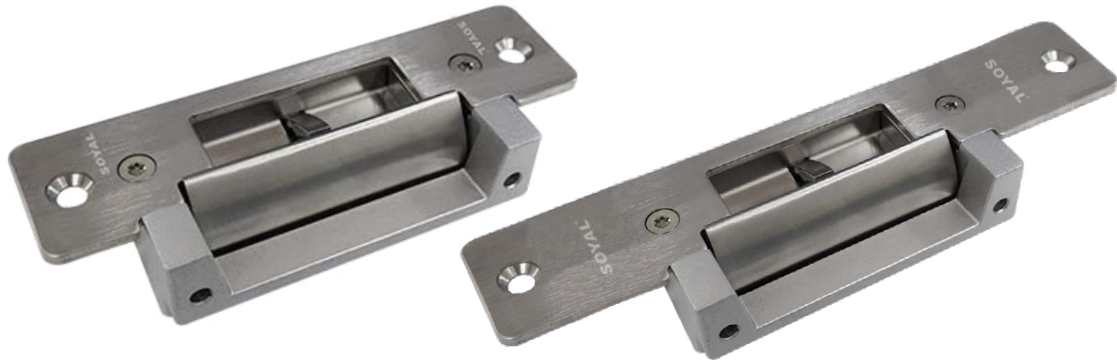


US-Standard Electric

AR-1304-S /AR-1304-SL



1. Product Features

- Fail Safe / Fail Secure – Adjustable directly on the product
- Electromagnetic Coil – Supports 500,000 continuous operations
- 304 Stainless Steel Bolt
- Withstands up to 500kg of force

2. How to Order

| AR-1304 | - S | L | N |
|--|---|---|--|
| Product Name 13XX = Electric Strike Series | Type N/A= Non-Switch Type S= Switch Type | Panel Type N/A = Standard L = Extended | LOGO N/A = SOYAL Logo N = No logo |

Table of Contents

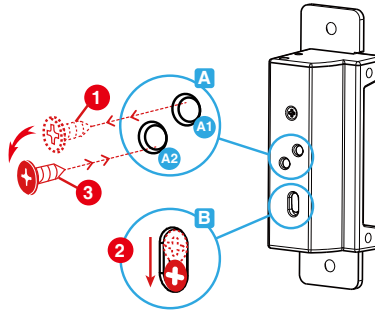
| | |
|---|----|
| 01. Product Specifications | 01 |
| 02. Signal Output Adjustment | 01 |
| 03. Wiring Guide | 01 |
| 04. Installation(mm) | 01 |
| 05. Installation Instructions | 02 |
| 06. Contents | 02 |

01. Product Specifications

| | |
|-----------------------|---|
| Voltage | DC12V |
| Static strength(kg) | 500kg |
| Safety Type | Fail Safe (Factory default) ; Fail Secure (Adjustable) |
| Suitable For | Metal Door |
| Signal Output | Door status Output, N.O./N.C./COM |
| Bolt Material | 304 Stainless Steel |
| Surface Temperature | Within +20°C |
| Operating Temperature | -10~+55°C |
| Operating Humidity | 0~95% (non-condensing) |
| Weight(g) | AR-1304-S: approx. 380 AR-1304-SL: approx. 400 |
| Lock Size(mm) | AR-1304-S: 124(H)X44(W)X35(D) AR-1304-SL: 165(H)X44(W)X35(D) |

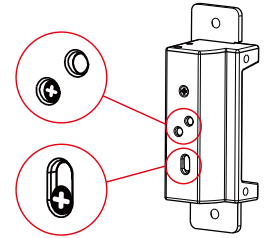
02. Signal Output Adjustment

STEP 1 : Remove screw A1.
STEP 2 : Adjust the screw in section B downward.
STEP 3 : Reinstall the original screw A1 into screw hole A2 and secure it.



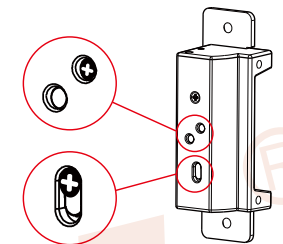
※ Note: This example demonstrates changing from Normally Closed (N.C.) to Normally Open (N.O.).

• Fail Secure (N.O.)



• Fail Safe (N.C.)

- Factory default

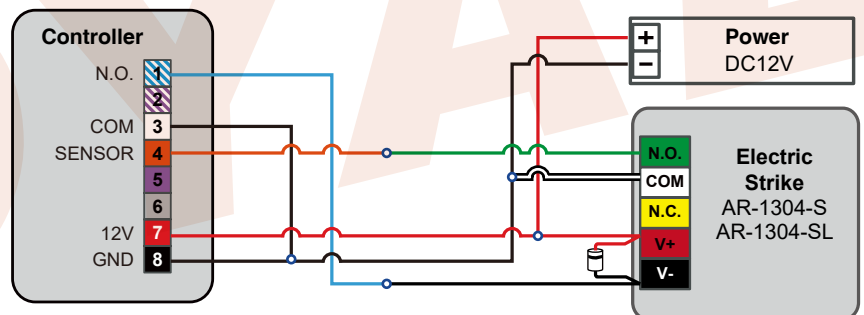


03. Wiring Guide

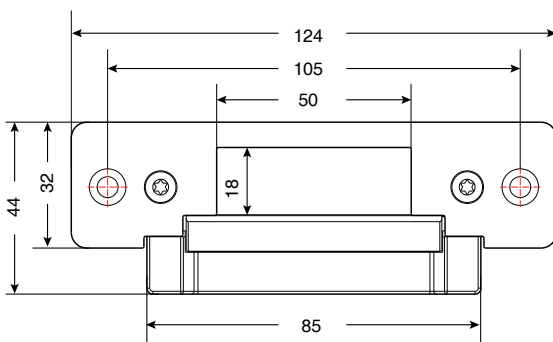
Wiring Description

| Pin | Color | Description |
|-----|--------|-------------|
| 1 | Green | N.O. |
| 2 | White | COM |
| 3 | Yellow | N.C. |
| 4 | Red | DC 12V |
| 5 | Black | DC 0V |

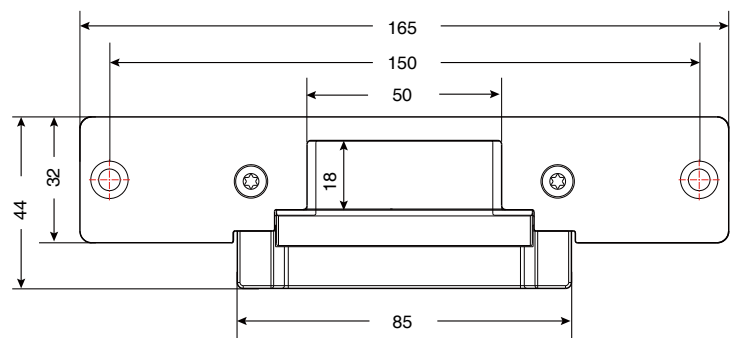
Wiring Diagram



04. Installation(mm)



AR-1304-S

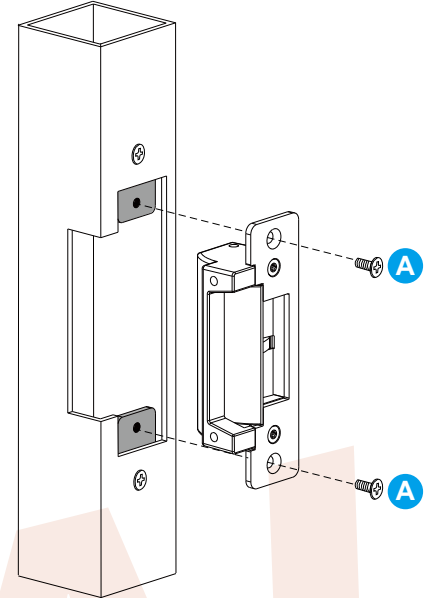
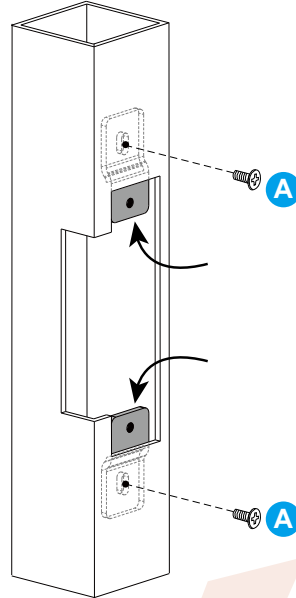
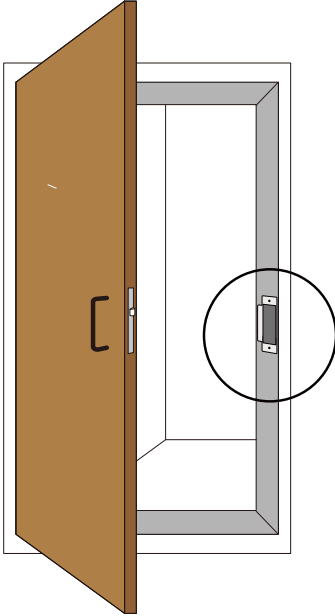


AR-1304-SL

05. Installation Instructions

1 Insert the fixing spacer into the slot and secure it with screws.

2 Place the fail-secure lock into the slot and secure it with screws.



06. Contents

AR-1304-S [US-Standard Fail-Secure Lock
– Panel Screw Hole Distance: 105mm]

AR-1304-SL [US-Standard Fail-Secure Lock
– Panel Screw Hole Distance: 150mm]

1 Product

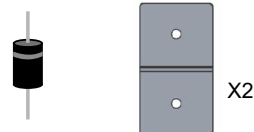


1 Product



2 Tools

2 Tools

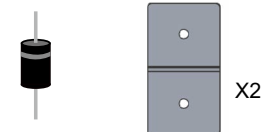


Flat Head, Flat End,
Phillips Screw
8mm*7mm

Flat Head, Pointed
End, Phillips Screw
10mm*22mm

Diode
EN4002

Extending
Plate



Flat Head, Flat End,
Phillips Screw
8mm*7mm

Flat Head, Pointed
End, Phillips Screw
10mm*22mm

Diode
EN4002

Extending
Plate