

Content

Product [Electric Bolt Lock w/ Cylinder Frame]

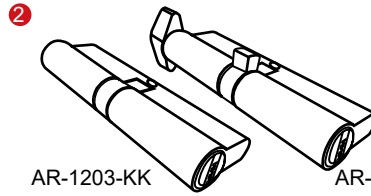


AR-1207A/B-29/36-F

Euro-Profile Cylinder (Optional)



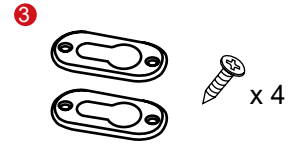
Key



AR-1203-KK

AR-1203-KT

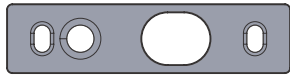
Lock Cylinder



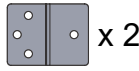
Cover

Product Information

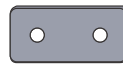
1 Lock installation parts



Strike plate x1



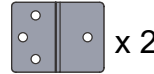
Extending Plate (small) x2



WD-Face Plate x1



Door Plate x1



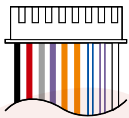
(Suitable for AR-1207-29)



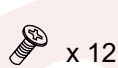
(Suitable for AR-1207-36)

Extending Plate (big) x2

2 8PIN Connector Cable / Screw Set



CN1

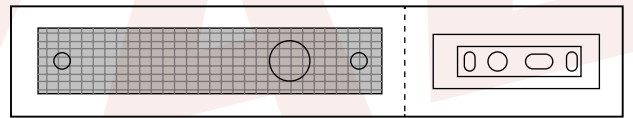


5mm*12mm Screw x12

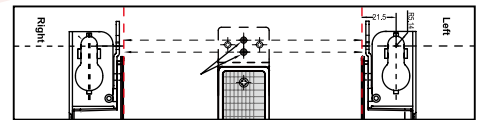


5mm*32mm Screw x4

3 Installation Template



Electric Bolt Lock Installation Template X1



Euro-Profile Cylinder Installation Template X1

Euro-Profile Cylinder Screw Set



M3 Hexagon Screwdriver



5mm*6mm Screw x1

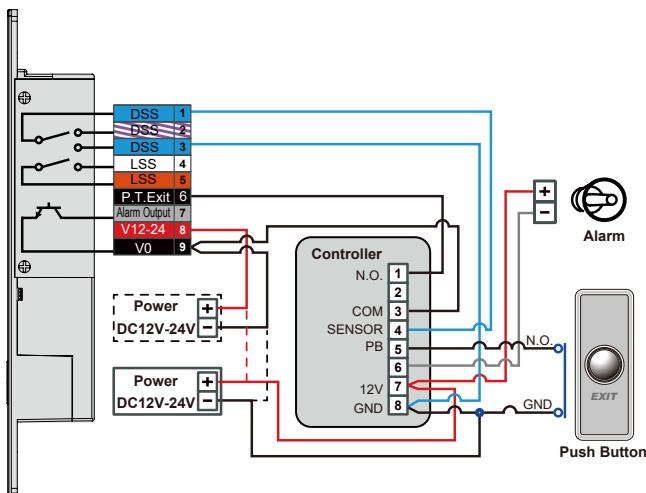


5mm*8mm Screw x1



5mm*20mm hollow screw x1

Wiring Diagram



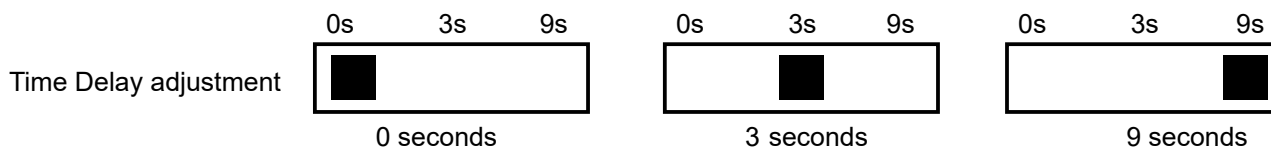
Wiring Table: CN1

Wire Application	Wire	Color	Description
DSS (Door Sensor Status)	1	White	Door Sensor Status (COM)
	2	Purple White	Door Sensor Status (N.C.)
	3	Blue White	Door Sensor Status (N.O.)
LSS (Lock Sensor Status)	4	Orange	Micro switch volt-free contact output.
	5		Door locked short circuit, door unlocked open circuit
P.T.Exit (Push to Exit)	6	Purple	Negative Trigger Input
Alarm Output	7	Gray	Transistor open-collector output, Max 24V/110mA Alarming output LOW, normal status or power fail high impedance
Power	8	Red	Power DC 12-24V
	9	Black	Power DC 0V(GND)

Manual

Time Delay

Time Delay option: 0, 3, or 9 seconds



※Note: When changing the time delay please turn off the power first! (when set to 0 seconds, there is time difference about 0.5 second)

Functions Mode

1. Standby Mode: If you close the door under the standby mode, the system will receive an induction and the time delay (0/3/6/9 sec.) will start to count, and then the auto-detective function will execute the following movements:

- 1) If door is opened within the time delay countdown, the bolt will automatically retract and the systems will return to standby mode.
- 2) If door is closed after the time delay countdown, the bolt will automatically extend into the “Detecting lock” and may execute the following steps.
- 3) After “Detecting lock” is done (system will received an induction of “Locked well”) , and will stay locked.
- 4) When “Detecting lock” is done but the bolt can’t proceed to lock, it will enter “Fail to lock” mode, users can see light indicator or listen to the warning buzzer, then push the door into the right position to lock. When entering “Keep locking” mode, it will automatically relock for every 2 seconds, and when indicating “Locked well” mode, it will enter power saving mode.

2. Unlock Mode: In Lock mode, when pushing the exit switch, The bolt will automatically retract, after 3 seconds, if the door is closed, the time delay (0/3/9 sec.) will reset and count and execute the following functions.

3. Forced Entry (alarm): when system is detecting error status or forced entry signal, alarm will be activated.

Status Indicators

Bolt and LED identification as following chart

Indicators	LED Indicator	Door Status	Bolt Status
Standby (waiting for locking)	LED lights up RED	Open	Open
Door Locking Time Delay	RED and GREEN LED flash alternately, flash continuously every 0.5 second	Close	Open
Locked Well	LED lights up GREEN	Close	Close
Fail to Lock	RED and GREEN LED flash once every 0.2 second	Close	Open
Keep Locking	Locked once every 2 seconds	Close	Open
Abnormal Door Status or Bolt Status	Flashing RED LED	Trigger	Trigger

Troubleshooting

- 1) After “Fail to lock”, the bolt will enter into “Keep locking” mode and relock once every 2 seconds. It will keep flashing red LED until the door is in correct position and completely locked, it will turned into green LED and will enter power saving mode. If the door status signal is turned off, it will flash red LED and enter standby mode.
- 2) When forced entry is occurring and break open the lock tongue, it will send alarm signal and will quick flash red LED, until a personnel come back and review it.
- 3) Please check V(+) and V(-) wiring when LED doesn’t light up.
- 4) It is suggested to use 12V 1000mA or more for power supply. If the power supply is insufficient, the drop bolt possibly keep projecting and retracting.

Installation

Ordering Model Name Description

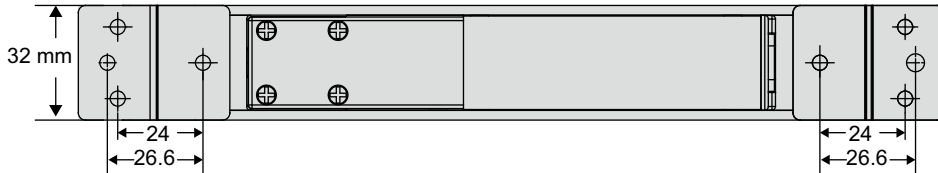
AR-1207-X-XX-X

- F or N/A** with/without Euro-Profile Cylinder ----- **F:** with Euro-Profile Cylinder **N/A:** without Euro-Profile Cylinder
- 29/36** Distance between Bolt centerpoint and mounting screw hole centerpoint----- **29:** 29mm **36:** 36mm
- A/B** Fail-Safe / Fail-Secure ----- **A:** Fail-Safe / **B:** Fail-Secure

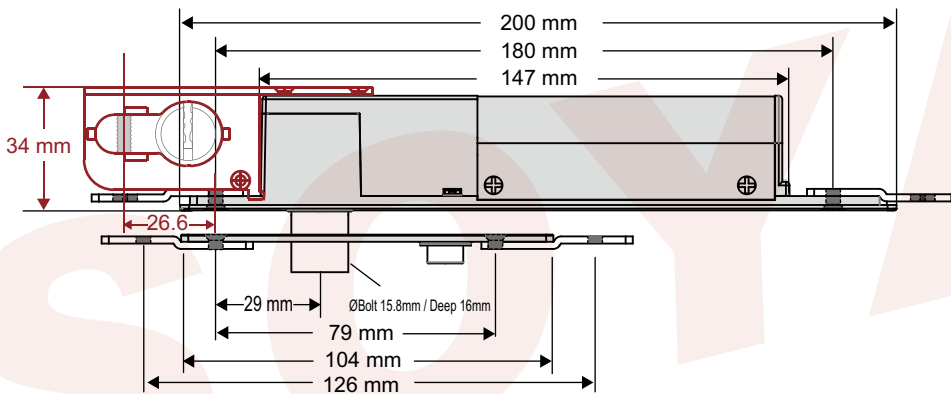
Dimension and Diagram

Lock Size (mm)	AR-1207A/B-29-F	200(L) x 32(W) x 32(H)	Bolt size (mm)	Adjustable up to 16mm
	AR-1207A/B-36-F	205(L) x 32(W) x 32(H)	Bolt diameter	16mm diameter (stainless steel lock bolt)
Strike plate (mm)	AR-1207A/B-29-F AR-1207A/B-36-F	104(L) x 25.5(W) x 5(H)	U-shaped Plate (mm)	(With additional purchase)

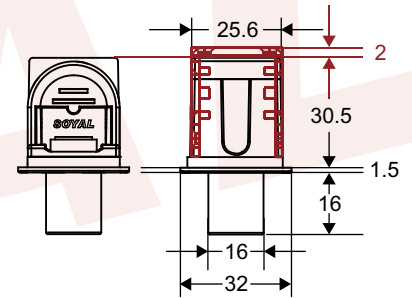
AR-1207A/B-29 Dimension



• Electric Bolt Lock Vertical View

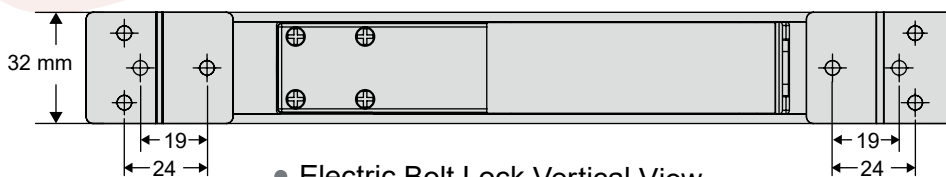


• Electric Bolt Lock/Strike Plate Front View

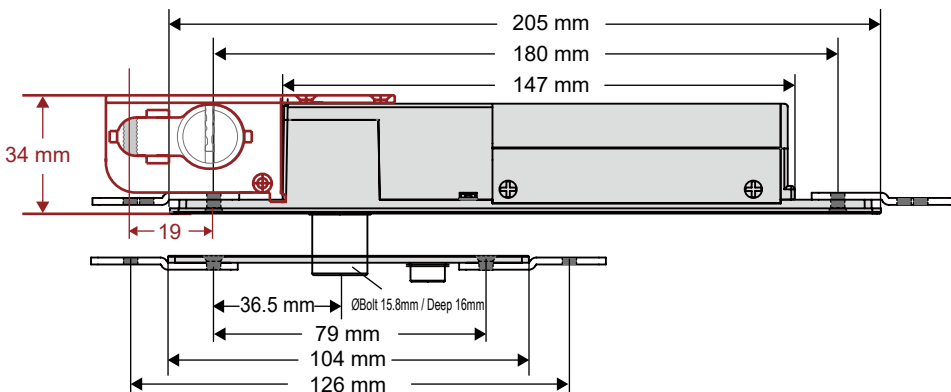


• Electric Bolt Lock Side View

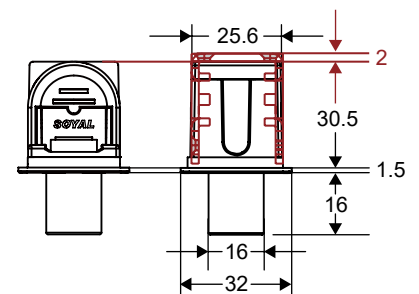
AR-1207A/B-36 Dimension



• Electric Bolt Lock Vertical View



• Electric Bolt Lock/Strike Plate Front View

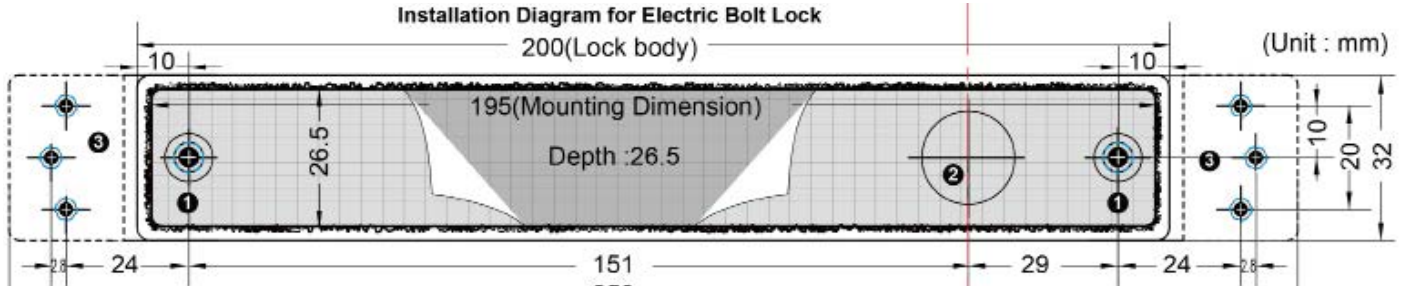


• Electric Bolt Lock Side View

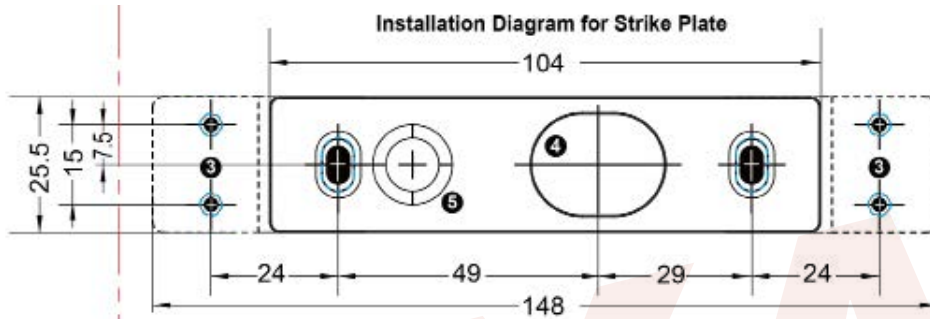
Installation Template

According to the purchased lock model, attach the supplied installation template on the installation position.

Installation Template Dimension for AR-1207A/B-29

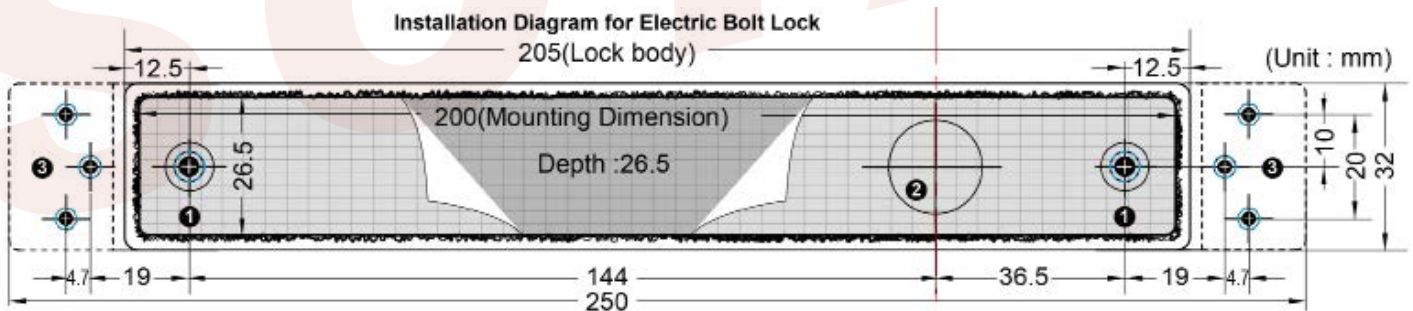


For Lock Body

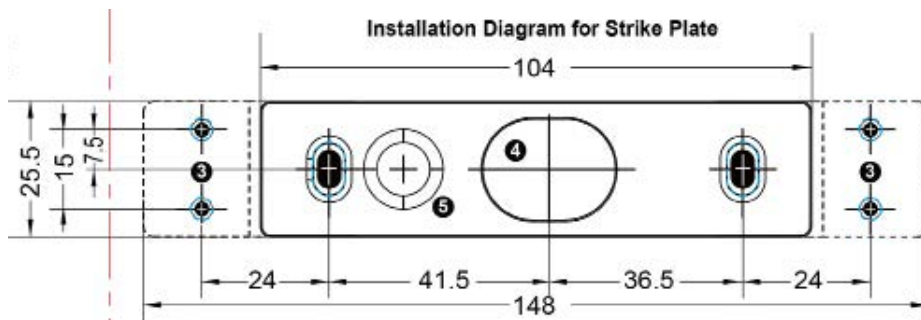


For Strike Plate

Installation Template Dimension for AR-1207A/B-36

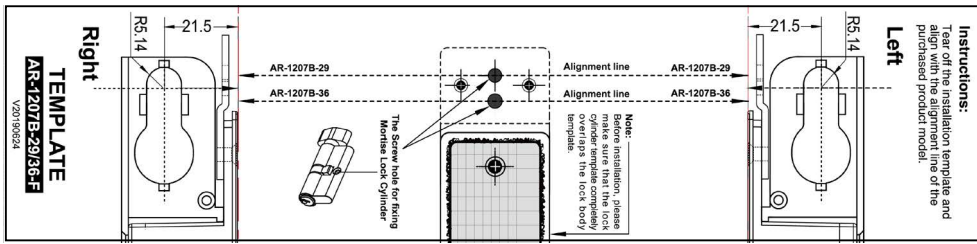


For Lock Body



For Strike Plate

Installation



Euro-Profile Cylinder Installation Template:

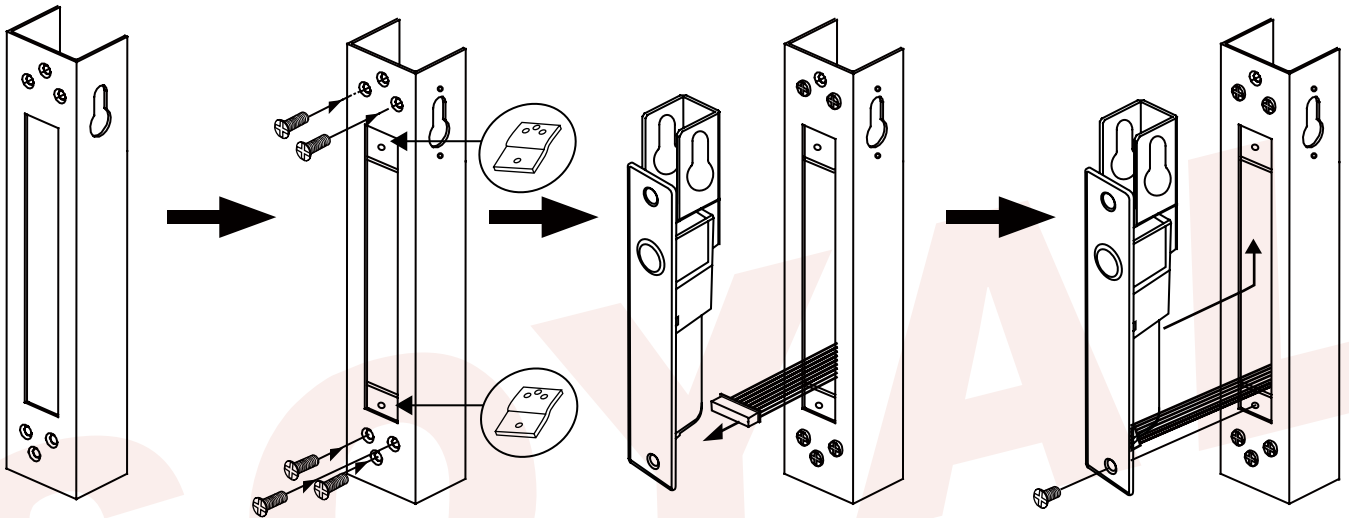
STEP 1: Please check the model no. of the electric bolt; AR-1207B-29 or AR-1207B-36.

STEP 2: Tear off the installation template and align with the alignment line of the purchased product model.

STEP 3: Attached the sticker to the door frame for installation.

Lock Body & Euro-Profile Cylinder Installation Guide:

- 1** Mark Installation dimension (Refer to Installation Template of Lock Body and Euro-Profile Cylinder)
- 2** Fasten extending plate
- 3** Plug Pin cable
- 4** Put Lock body into door frame and fasten screw



- 5** After locking the cylinder cover with screw, insert the Euro-Profile Cylinder
- 6** Lock the Euro-Profile Cylinder/fasten Body Lock with screw
- 7** Finish installation

To fasten Euro-Profile Cylinder:

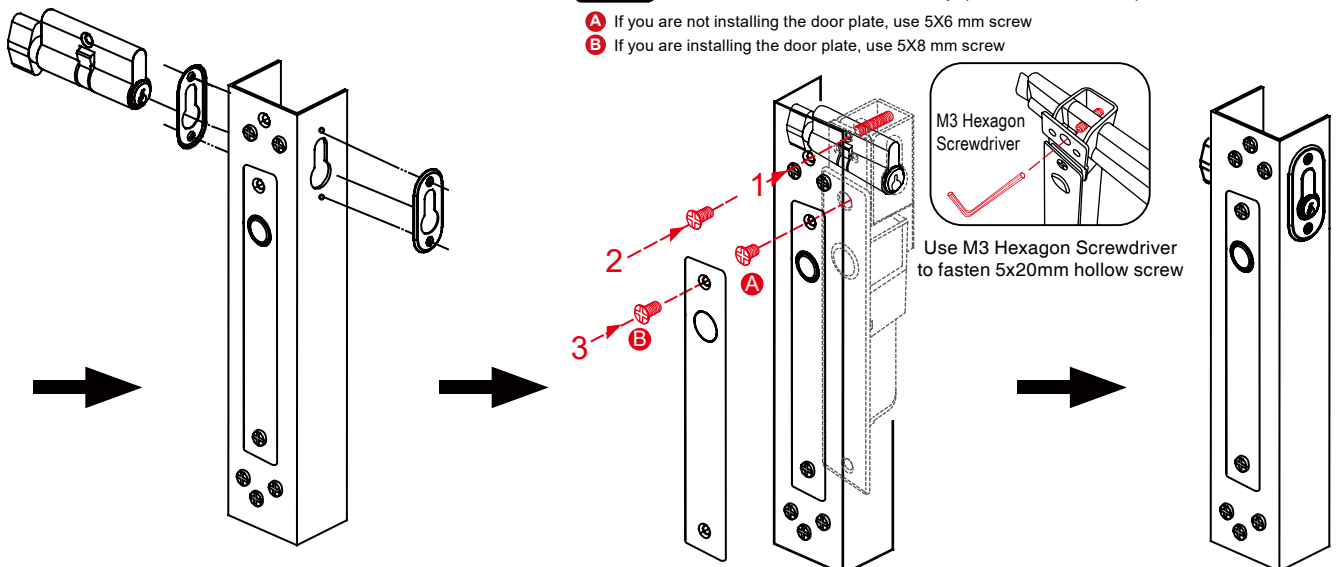
STEP 1: Fasten 5x20mm hollow screw (to the inner side)

STEP 2: Fasten 5x8mm screw to the same hole that goes with hollow screw to secure

STEP 3: Fasten screw to the lock body (5X6mm / 5X8mm)

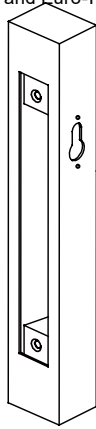
A If you are not installing the door plate, use 5X6 mm screw

B If you are installing the door plate, use 5X8 mm screw

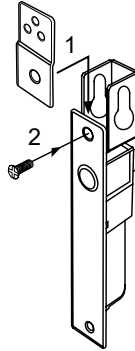


Lock Body & Euro-Profile Cylinder Installation Guide (with Face Plate):

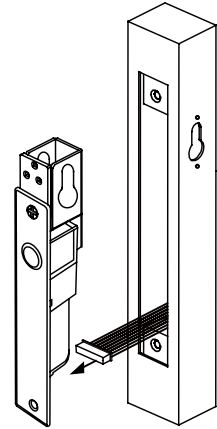
- 1** Mark Installation dimension
(Refer to Installation Template of Lock Body and Euro-Profile Cylinder)



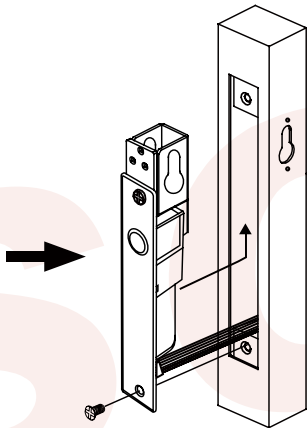
- 2** Fasten another small extending plate with screw to the lock body



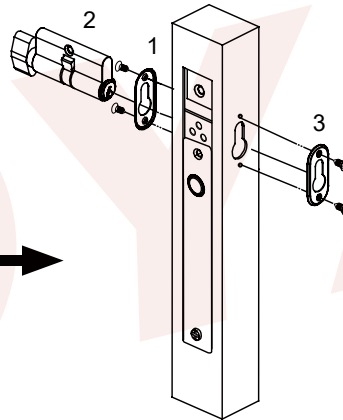
- 3** Plug Pin cable



- 4** Put Lock body into door frame and fasten screw

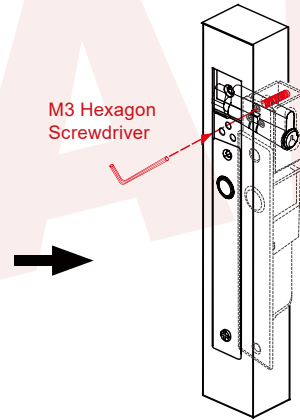


- 5** After locking the cylinder cover with screw, insert the Euro-Profile Cylinder

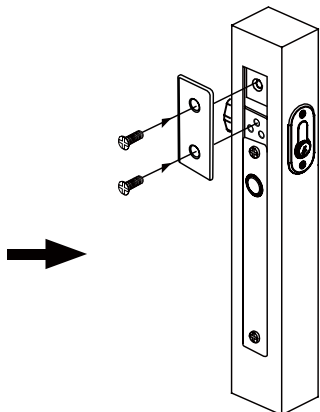


- 6** Lock the Euro-Profile Cylinder/fasten Body Lock with screw

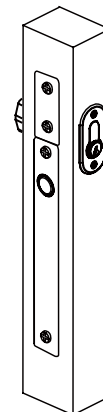
M3 Hexagon Screwdriver



- 7** Fasten the face plate on the door frame to the lock body that has been fixed with small extending plate

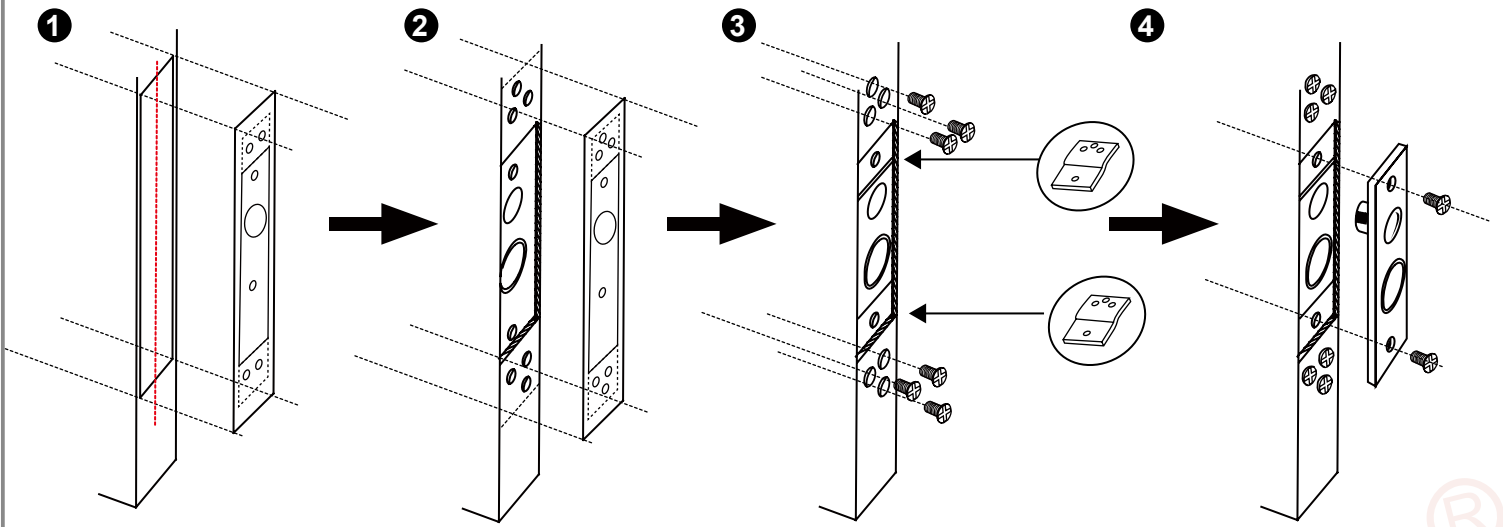


- 8** Finish installation



Installation

Strike Plate Installation Reference



STEP 1 :
Attach the mounting strike plate template to the installation position (Refer to Installation Template of Strike Plate)

STEP 2 :
Cut by the template instruction and drill screw holes.

STEP 3 :
Install two small extending plates (Please note the position and direction of mounting)

STEP 4 :
Align Strike plate with screw holes, screw Strike plate to finish the installation.

Troubleshooting

Problem	Possible Cause	Solution
Dropbolt is not activated when the door is closed.	The gap between the strike plate and the dropbolt lock is large .	Adjust the distance between the magnet strike plate and the reed sensor range in the lock body is within 10mm.
	No or Low voltage /current	Check whether the output power (voltage and the current) is enough Pull in power: 12W
Dropbolt repeats projecting action	Low voltage /current	Check whether the output power (voltage and the current) is enough Pull in power: 12W
	Dropbolt is not locked in the hole properly	Adjust the door closer or the door hinge to ensure the door closing in the correct position. If the door hinge is failed to adjust, it is recommended to change double swing door to single swing door
Bolt cannot retract	Strike plate is misaligned	Sway the door to release the bolt to open the door.
		If the door hinge is failed to adjust, it is recommended to change double swing door to single swing door