

INSTALLED INSTRUCTION

AR-0400WS

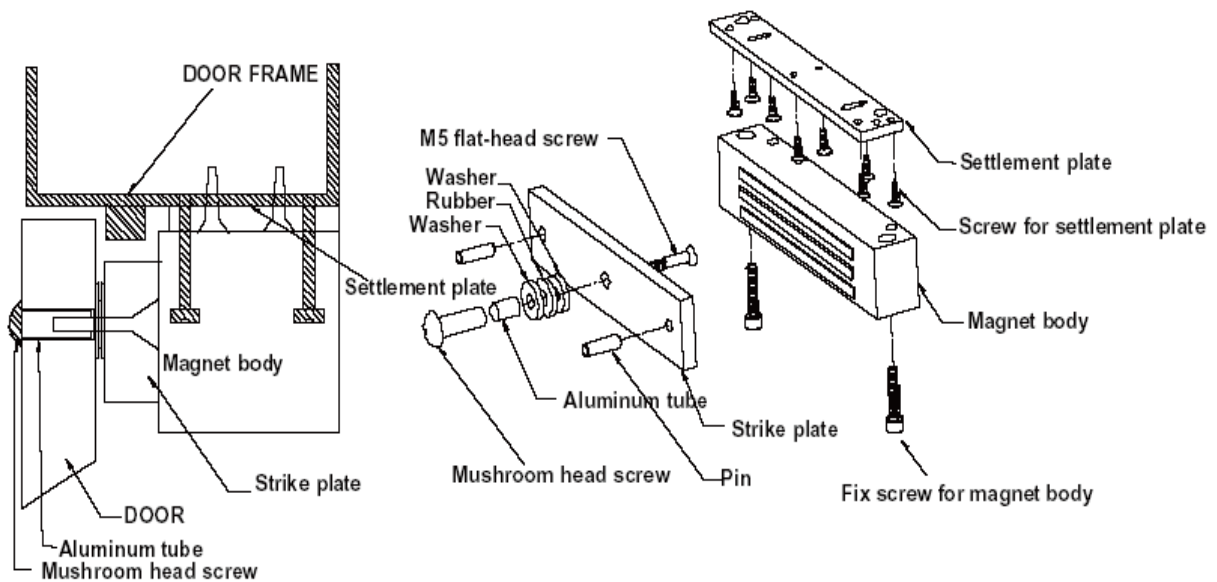
ELECTROMAGNETIC LOCK

● SPECIFICATION



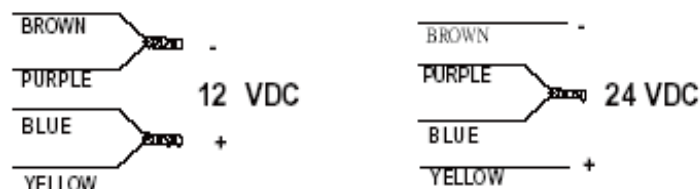
DESCRIPTION	AR-0400WS
Door monitoring output (reel sensor NO/NC)	NO INCULDE
Input Voltage	12 to 24 VDC
Current Draw	12VDC - 370mA 24VDC - 185mA
Holding Force	400LBS
Dimensions(H x W x D)	Surface magnet :164 x 35 x 26 mm Strike plate :130 x 32 x 10 mm
Material	Armature housing : Stainless steel Strike plate : Steel

● IN SWING DOOR ASSEMBLY



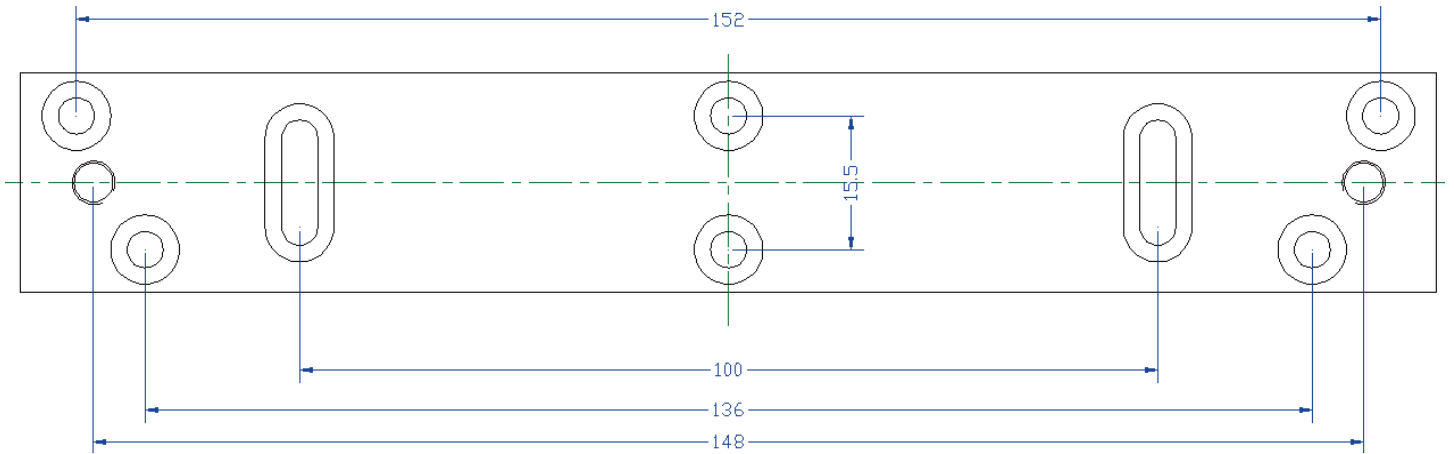
1. First, loosely attach the settlement plate to the doorframe by inserting 2 screws through the 2 pre-drilled holes of the settlement plate. Adjust the settlement plate to the desired position, then tighten the settlement plate to the doorframe with another 8 screws.
2. Insert 2 included screws through the pre-drilled holes on the lock body and screw tightly with the settlement plate.
3. Locate the proper position on the door that corresponds to the position of the electromagnetic lock when closed. Insert 2 pins to the strike plate and drill 2 holes (about 6~7mm) on the door at the center of the strike plate all the way through the entire door. Insert the M8 flat head screw through the center of the strike plate, through the door, the washers, the aluminum tube and bolt. Do not install the strike plate too tight. Leave some space to allow for best performance between the plate and lock.

● ELECTRICAL INSTALLATION



INSTALLED INSTRUCTION
AR-0400WS
ELECTROMAGNETIC LOCK

● **FIXING DIMENSION**



SETTLEMENT PLATE
DIMENSION