

INDOOR Electronic Magnetic Lock 400LBS

AR-0400WF / AR-0400WS



Table of Contents

01. Product Features	01
02. Specification	01
03. Connector Table	01
04. Power 12V / 24V Wiring Diagram	01
05. Wiring Diagram	02
06. Installation Instructions	02
07. Installation with Bracket	04
08. Product Content	05

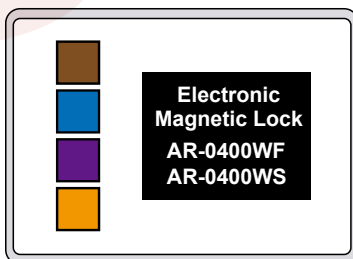
01. Product Features

- The magnetic lock is designed without any mechanical structure, high reliability and reinforced aluminum alloy casing.
- The amature plate has a special anti-residual magnetism design, and a variety of optional installation auxiliary bracket that are suitable for all door types.
- Waterproof IP rate for outdoor installation.

02. Specification

	AR-0090M	AR-0200M
Operating Voltage	12 to 24 VDC	12 to 24 VDC
Current Draw	60mA~130mA	12VDC-200mA 24VDC-100mA
Material	Lock Housing: Alluminium Alloy Armature Plate: Pure Iron Bracket: Alluminium Alloy	
Holding Force(kg)	40	110
Solenoid Test	Over 500,000 times	
Temperature	Lock Surface Temperature: \leq ambient temperature \pm 20°C Operating Temperature: -10°C ~ +55°C	
Humidity	0~95% non-condensing	
Dimmension (mm)	Magnet: 35(H)X70(W)X20(D) (L Bracket included) Armature Plate: 32(H)X62(W)X9(D)	Magnet: 28(H)X160(W)X17(D) Armature Plate: 28(H)X130(W)X8(D)
Bracket Type	L Bracket (included)	--
Electronic Magnetic Lock Net Weight (kg)	approx. 0.25kg	approx. 0.6kg
Door Monitoring Output	No	
LED indicator	No	

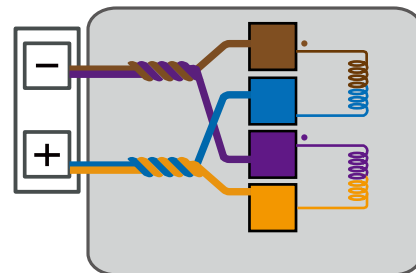
03. Connector Table



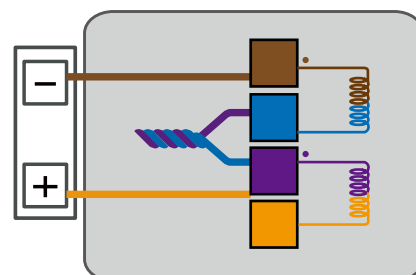
Wire Application	Color	Description
Power 12V/24V	Brown	--
	Blue	--
	Purple	--
	Yellow	--

04. Power 12V / 24V Wiring Diagram

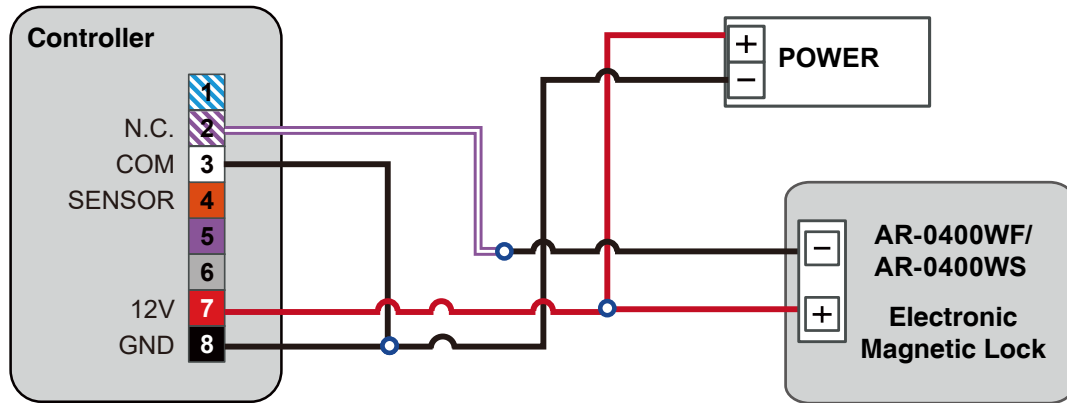
Power 12V



Power 24V

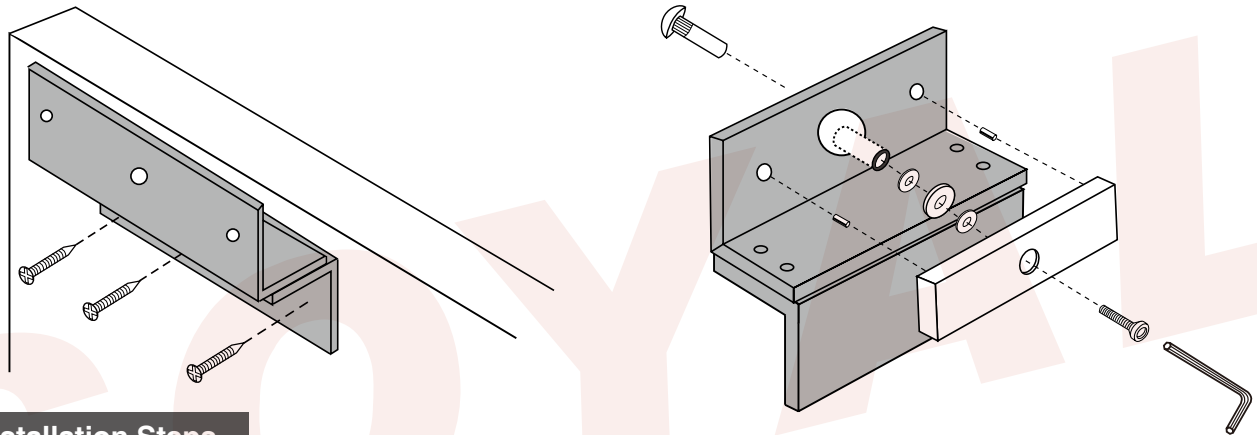


05. Wiring Diagram



06. Installation Instructions

AR-0400WF Armature Plate



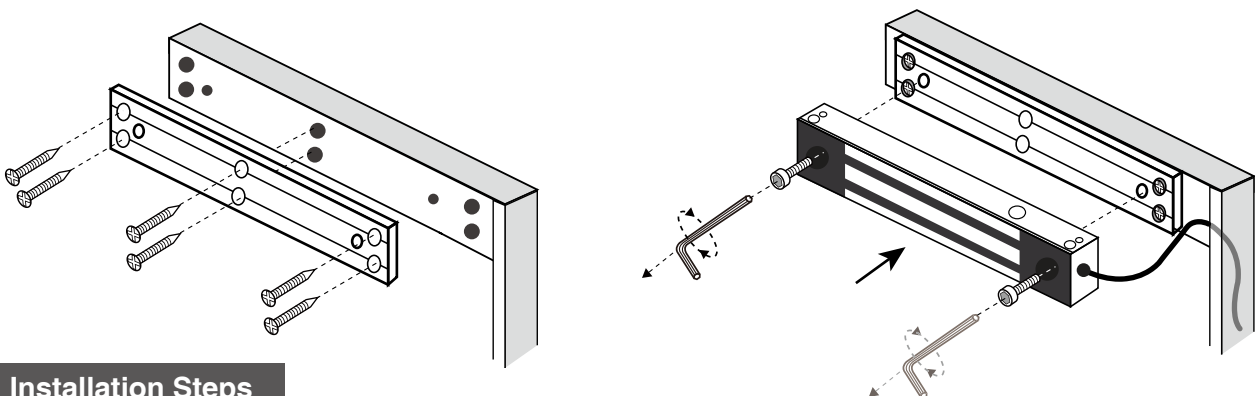
Installation Steps

STEP 1: Determine the installation position for the armature plate on the door, then install the Z-shaped bracket onto the door. (Note: When securing the Z-shaped bracket, use rubber washers to prevent slippage.)

STEP 2: Assemble the components, including the mushroom head screw, metal spacer, spring pin, washer, rubber pad, and rubber screw, onto the Z-shaped bracket as shown in the diagram.

※Note: Do not overtighten the armature plate and the Z-shaped bracket. Leave a small gap to ensure optimal performance between the armature plate and the magnetic lock.

AR-0400WF Lock Body



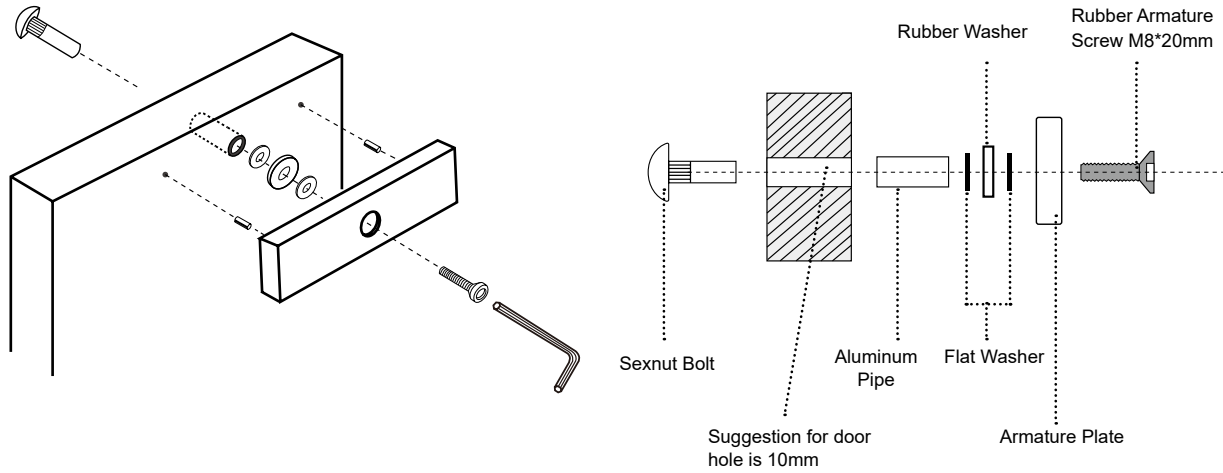
Installation Steps

STEP 1 : Locate the desired position on the doorframe and attach the settlement plate to this location, using 6 screws included in the package.

STEP 2: Insert 2 included screws through the pre-drilled holes on the lock and screws tightly to the settlement plate.

AR-0400WS Armature Plate

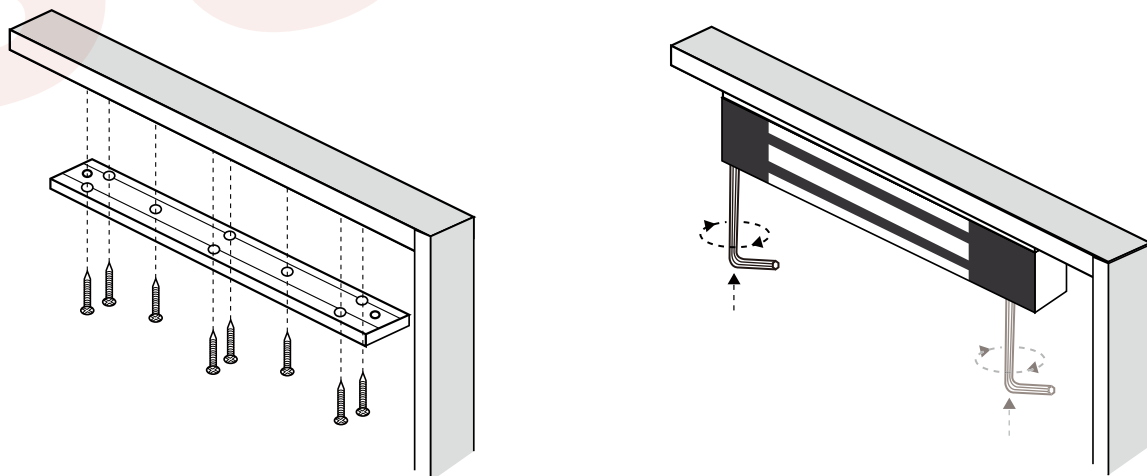
Armature Installation Side View



Installation Steps

- STEP 1 :** Make sure the strike plate position, drive a hole on the door by the size of M5 flat head screw at the center position of strike plate (To fit mushroom head screw and aluminum tube). Insert 2 pin at the two side of strikeplate. At the same position of 2 pins, drive match holes (5~6mm diameter) on the door.
- STEP 2:** Between strike plate and door, install 2 washers and 1 rubber in the middle of two washers. Behind the door, insert aluminum tube (length depends on the door thickness). Use mushroom head screw to lock strike plate on the door.
- ※Note: Make sure the plate can be slightly shaken when locked. This will have better conjunction to the magnet body and reach the best efficiency.

AR-0400WS Lock Body

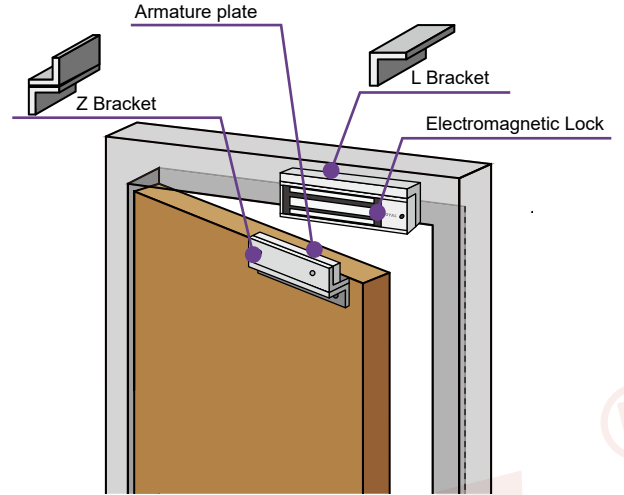
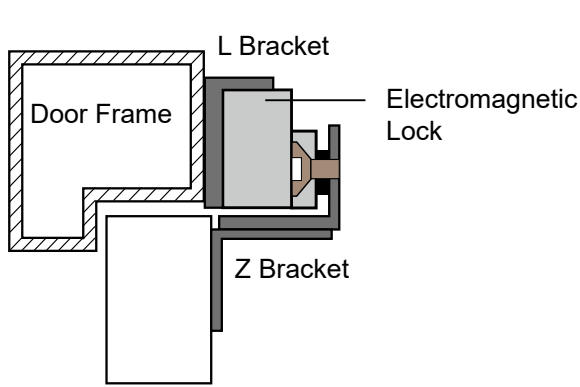


Installation Steps

- STEP 1 :** First, loosely attach the settlement plate to the doorframe by inserting 2 screws through the 2 pre-drilled holes of the settlement plate. Adjust the settlement plate to the desired position, the tighten the settlement plate to the doorframe with another 8 screws.
- STEP 2:** Insert 2 included screws through the pre-drilled holes on the lock body and screw tightly with the settlement plate.

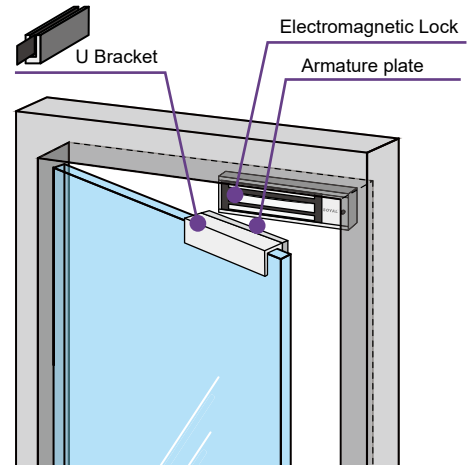
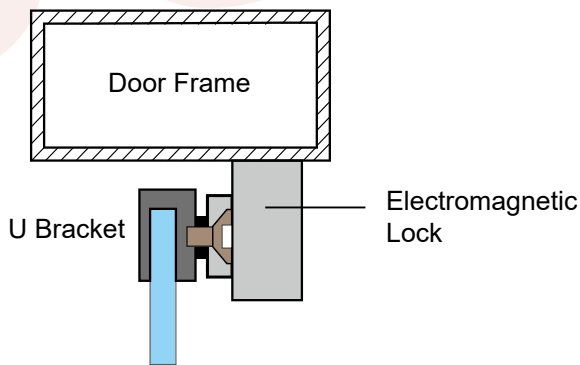
07. Installation with Bracket

Narrow Door Installation (Inswing Door)



Lock : AR-0400WF/AR-0400WS
Bracket : AR-0400MZL

Frameless Glass Door



Lock : AR-0400WF/AR-0400WS
Bracket : AR-0300M-U/AR-0400M-U

08. Product Content

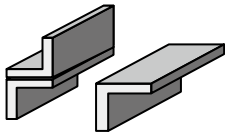
AR-0400WF

Accessories & Tools



Optional Order (Bracket)

① LZ Bracket



AR-0400MZL



Rubber Armature
Screw



Hex Socket
Cylinder Head
Screw



Hexagon Allen
Wrench(M4)



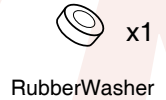
Hexagon Allen
Wrench(M5)



Sexnut Bolt

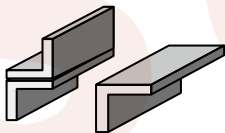
AR-0400WS

Accessories & Tools



Optional Order (Bracket)

① LZ Bracket



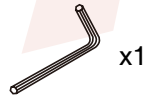
AR-0400MZL



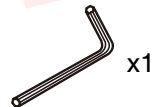
Fixing Screw
4mm*10 mm



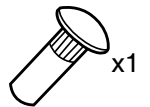
Rubber Armature
Screw



Hexagon Allen
Wrench(M4)



Hexagon Allen
Wrench(M5)



Sexnut Bolt