

(Note: AR-888-U in this manual is intended only for AR-888-UB and AR-888-UD)

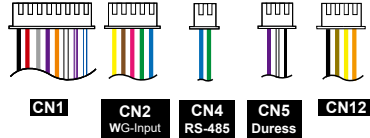
Contents

AR-888-H: Flush-Mount Backlight Multi-Function Controller - LED Ring (Green/Red Only)

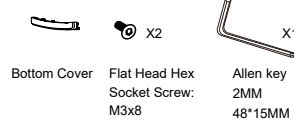
1 Product (US/EU)



2 Terminal Cables



3 Tools



4 Easy Install Kit (By Order)



MPLA-888XA18/19 (US / EU)

AR-888-K/U: Flush Mount Illuminated Access Reader - LED Ring (Green/Red Only)

1 Product (US/EU)

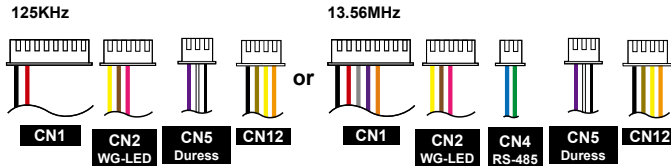


AR-888-K



AR-888-U

2 Terminal Cables



3 Tools

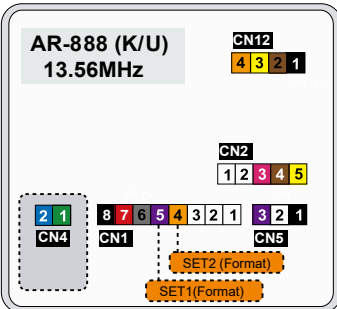
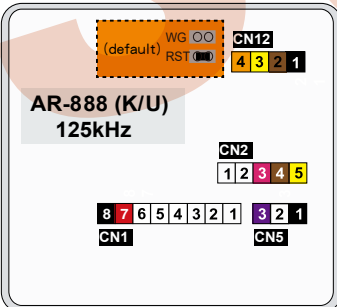
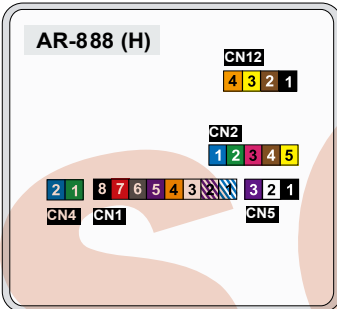


4 Easy Install Kit (By Order)



MPLA-888XA18/19 (US / EU)

Connector Table



888-H Cable : CN1

Wire Application	Pin	Color	Description
Lock Relay	1	Blue White	(N.O.) DC24V1Amp
	2	Purple White	(N.C.) DC24V1Amp
Common-COM-Point	3	White	(COM) DC24V1Amp
Door Sensor	4	Orange	Negative Trigger Input
Exit Switch	5	Purple	Negative Trigger Input
Alarm Relay	6	Gray	Low output; Max 12V/100mA (Open Collector)
	7	Thick Red	DC Power 12V
Power	8	Thick Black	DC Power 0V

888-K/U Cable : CN1

Wire Application	Pin	Color	125kHz Description	13.56MHz Description
---	1	---	---	---
---	2	---	---	---
---	3	---	---	---
Output Selection	4	Orange	---	SET2
	5	Purple	---	SET1
Card Present	6	Gray	---	Reading card Active Low
Power	7	Thick Red	DC Power 12V	DC Power 12V
	8	Thick Black	DC Power 0V	DC Power 0V

Cable : CN2

Wire Application	Pin	Color	888-H Description	888-K/U (125kHz , 13.56MHz) Description
Wiegand	1	Thin Blue	Wiegand DAT:1 Input	---
	2	Thin Green	Wiegand DAT:0 Input	---
Beeper	3	Pink	Beeper Output 5V/100mA, Low	Beeper Output 5V/100mA, Low
LED	4	Brown	LED Green Output 5V/20mA, Max	LED Green Output 5V/20mA, Max
	5	Yellow	LED Red Output 5V/20mA, Max	LED Red Output 5V/20mA, Max

Cable : CN4

Wire Application	Pin	Color	888-H Description	888-K/U (13.56MHz) Description
RS-485 Port	1	Green	RS-485(B-)	RS-485(B-)
	2	Blue	RS-485(A+)	RS-485(A+)

888-H Cable : CN5

Wire Application	Pin	Color	Description
3-PIN Connector	1	Black	GND.
	2	White	Duress
	3	Purple	Arming/ Security trigger signal

888-K/U (125kHz , 13.56MHz) Cable : CN5

Wire Application	Pin	Color	Description
GND.	1	Black	GND.
WG Output	2	White	WG 0 Output
	3	Purple	WG 1 Output

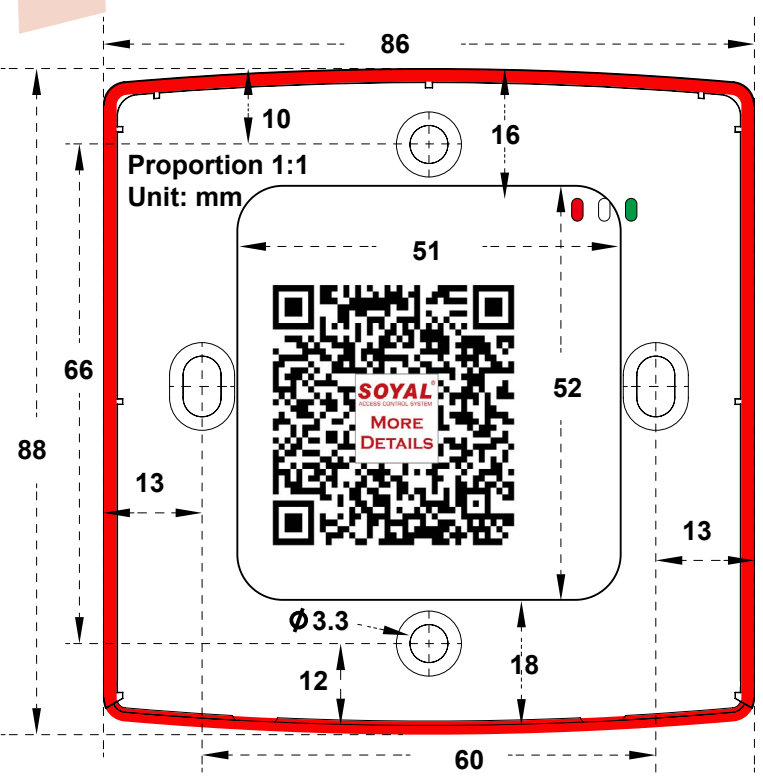
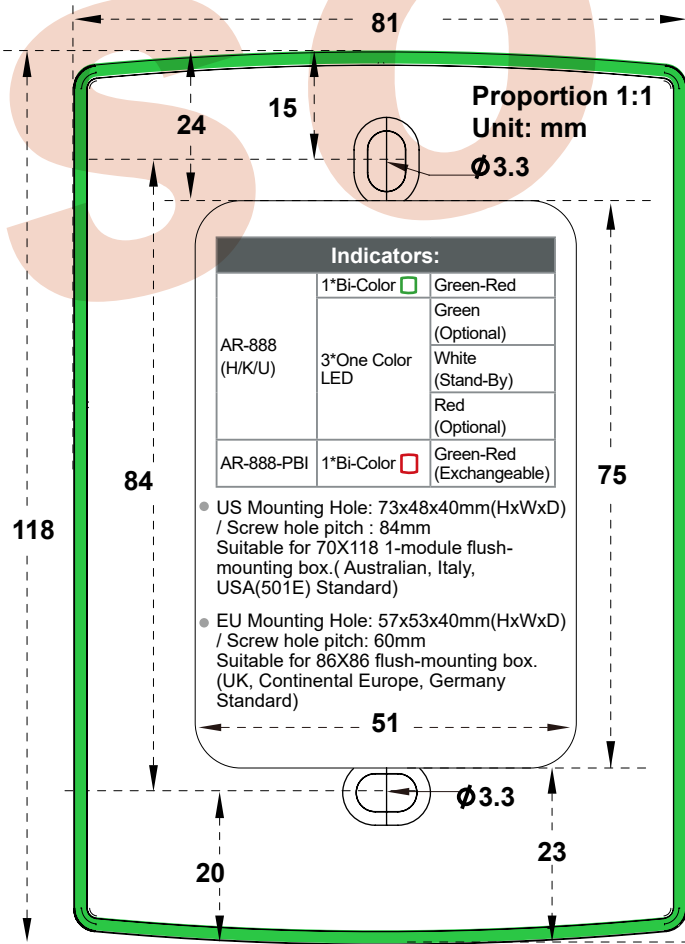
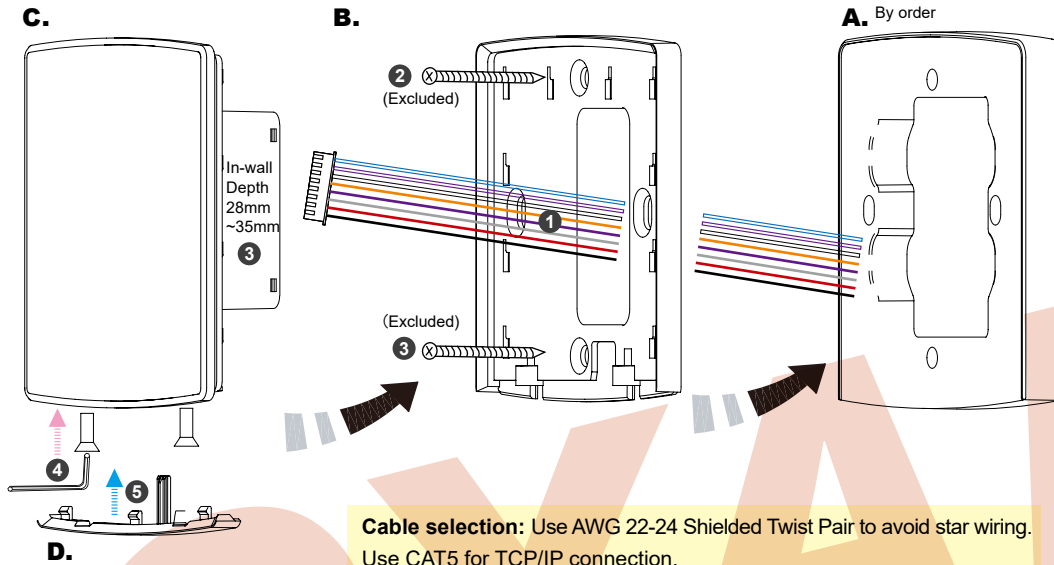
Cable : CN12

Wire Application	Pin	Color	888-H Description	888-K/U (125kHz , 13.56MHz) Description
GND.	1	Black	GND.	GND.
LED	2	Brown	GLEED Input (Active High)	GLEED Input (Active High)
	3	Yellow	RLED Input (Active High)	RLED Input (Active High)
Tamper	4	Orange	Tamper Switch(Active Low)	Tamper Switch(Active Low)

AR-888 (K/U)			AR-888 (K/U)			
125kHz WG/ABA/RS232 Format			13.56MHz WG/ABA Format			
(By order or changeable by shorted on PCB)			(Change by wires connection)			
Format	WG	RST/Bits	Format	SET 1	SET 2	Note
WG 26	Open	Open	WG 26	Open	Open	HEX
WG 34(default)	Open	Short	WG 34	Open	To GND	HEX
ABA-8	Short	Short	ABA-10	To GND	Open	BCD10
ABA-10	Short	Open	ABA-5-5	To GND	To GND	BCD

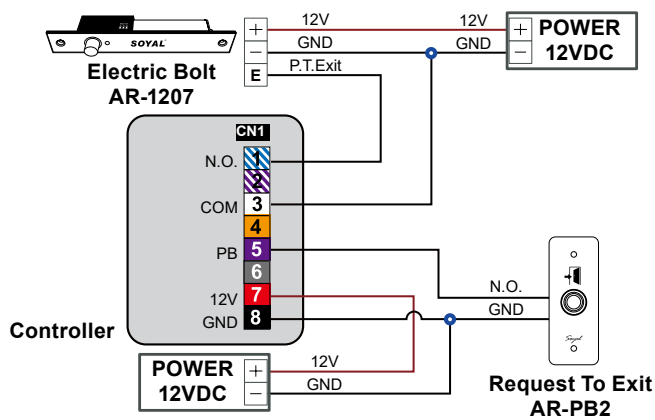
Installation

- Pull the cables from the square holes of the eva foam gasket and mounting plate.
- Use a screwdriver to screw the mounting plate **B** onto the wall with Flat Head Cap Philips Tapping Screws (Excluded, the Installer should prepare before installation).
- Connect the cables to the backside of body **C** and attach **C** to **B** at lower position of **B**. Push **C** up to make the cogging hooked completely.
- Use the Allen key and screws to assemble the body **C** onto the mounting plate **B**. Attach the Back Cover **D** to **C**.
- **Hands-off and clear any objects around the 888-H/K.** Turn on the power and LED will light-up and beep will sound. Wait the Touch IC start for 10 sec. to operate.

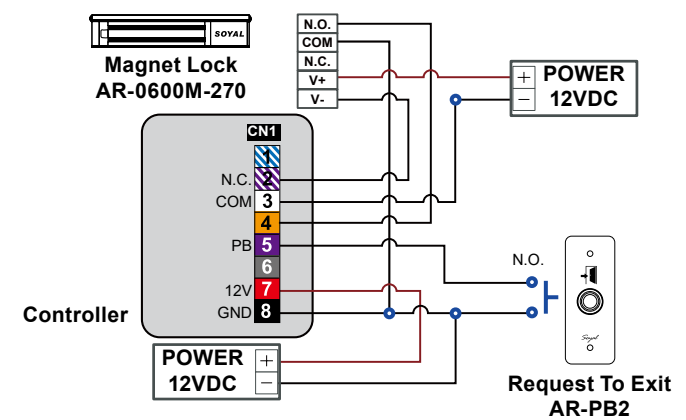


Wiring Diagram

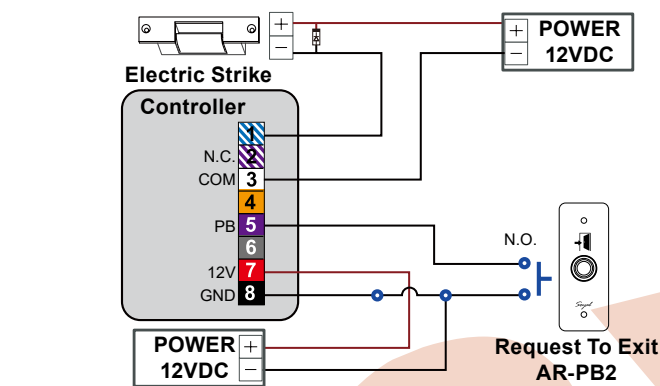
Connect to Electric Bolt



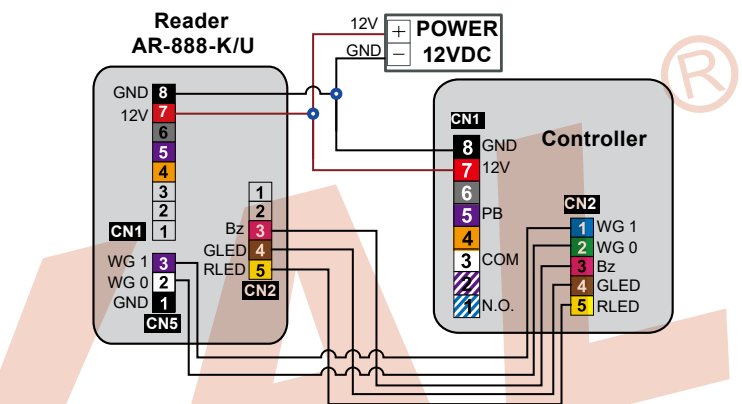
Connect to Magnetic Lock



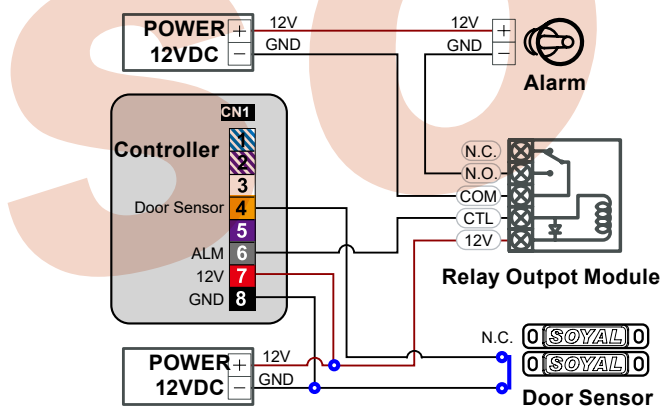
Connect to Electric Strike



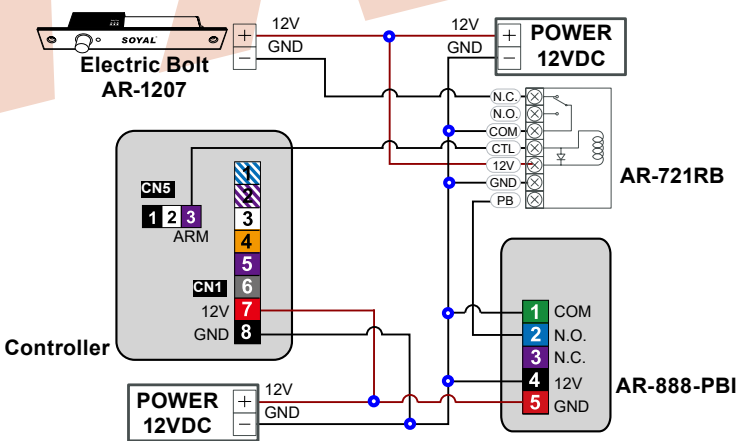
Connect to Reader



Connect to Door Sensor



Strengthen security with AR-721RB



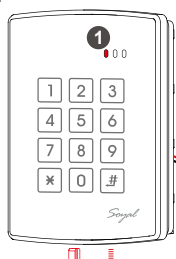
AR-888-H/K/U Tamper Alarm

※ Tamper Alarm Trigger Condition:

Removal of the cover while AR-888-H/K/U is powered on.

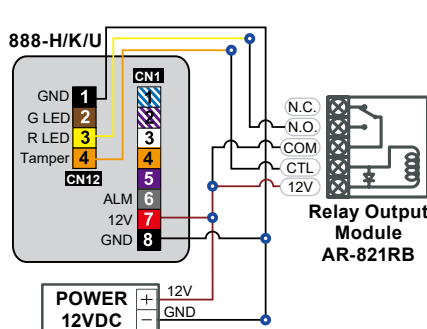
※ Alarm Notification Method (Choose one):

- The first LED on the top right of the panel stays lit in red (or breathes in white when in standby mode).
- Trigger an external alarm device.

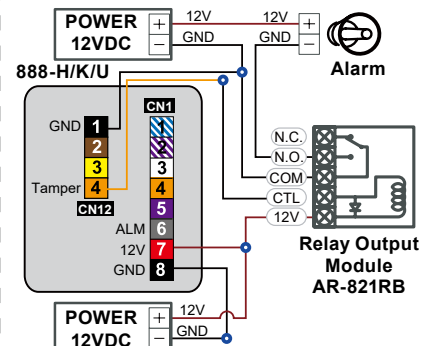


Bottom Cover

1 Panel LED Constant Red Light Wiring Diagram

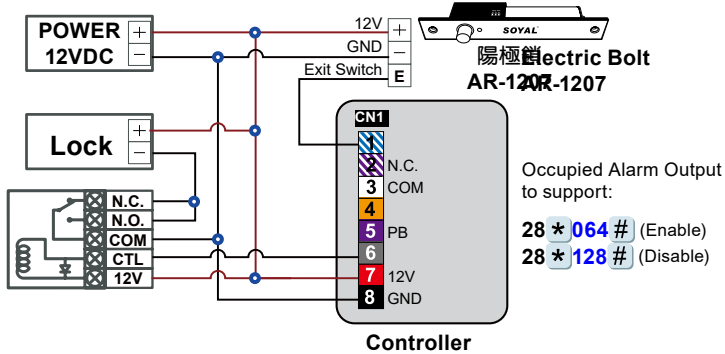


2 External Alarm Device Trigger Wiring Diagram

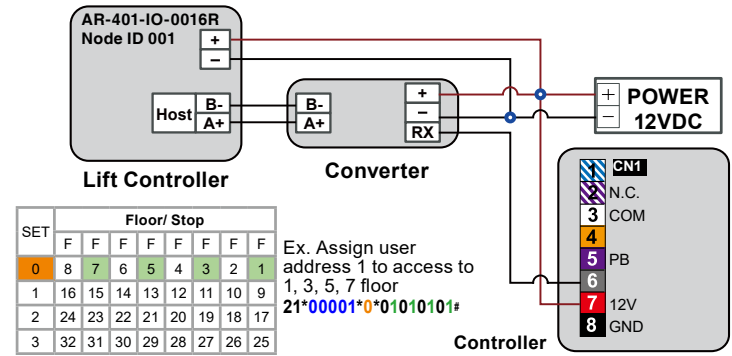


Flush-Mounted Series

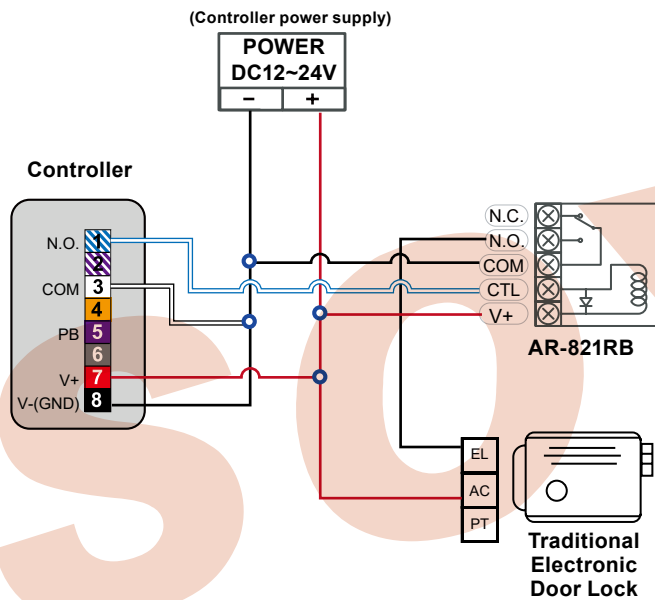
Alarm Output - WG Dual Door Control Wiring



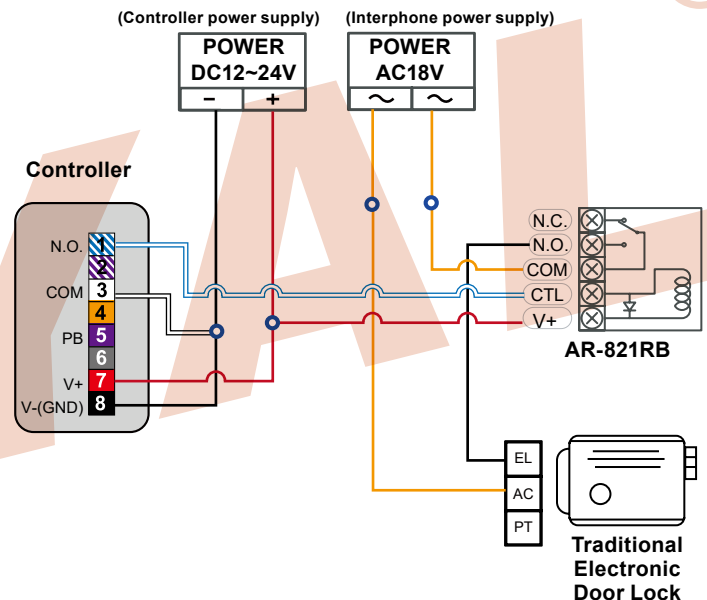
Alarm Output - Lift Control Wiring



Traditional Electronic Door Lock wiring diagram adopted with controller power supply

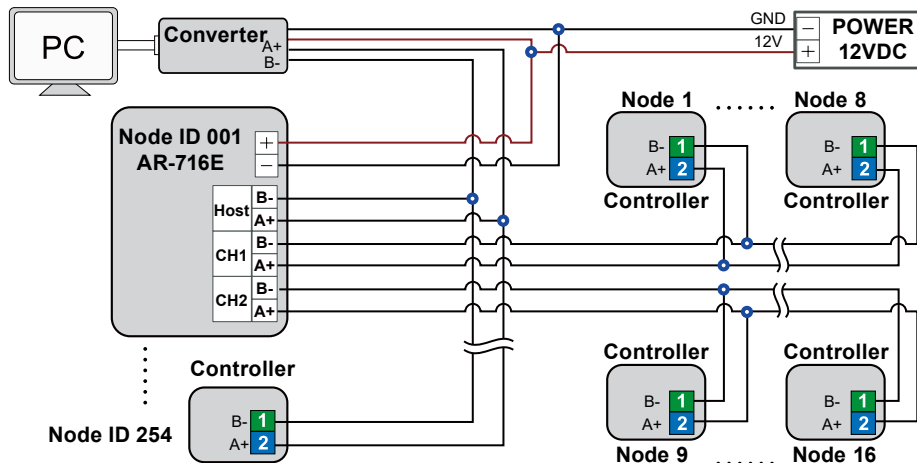


Traditional Electronic Door Lock wiring diagram adopted with interphone power supply



※ This wiring diagram function is required to setup Door Relay Time in 1 sec, please refer to 02 * TTT # command.

Connect to Networking



Set up Node ID

Ex. Node 32 connected to PC 032=Node ID of Access Controller
 00 * 032 * 032 * 032 # 032=Virtual 716E Node ID
 Ex. Node 9 connected to 716E 032=Door number
 00 * 009 # (All Range:001~254)
 009=Node ID of Access Controller
 Range: 001~254)

Notice:

- At every 32 units or at every 300M connection to add a RS485 Booster.
- Suggest to connect up to 32 units for each CH of AR-727CM

Master Code modification / Change the Node ID of Controller

A. Enter / Exit Program Mode

- **Enter the program mode**

Input *123456# or *PPPPPP#

[e.g.] The Default Value= 123456, if the Master Code is already changed= 876112, input *876112# → program mode entered

- **Exit the program mode**

Input *#

- **Master Code modification**

Enter program mode → 09 *PPPPPPRRRRR# [Input the 6-digit new master code twice.]

[e.g.] Set the Master code to be 876112, input *123456# → 09 *876112876112#

B. Change the Node ID of Controller

Enter program mode → 00 *NNN# [Node ID: 001~254; if the access controller is connected to AR-716E, its Node ID will be 001~016.]

M4 / M6 / M8 (AR-888-H)

Mode	Networking/ Standalone	User Capacity	Access Mode	Auto-show Duty time	Event log Capacity	120 Holidays	Duress Function	Time Zone	Lift Control	Anti-pass- back
M4	Networking/ Standalone	3,000	1.Card only 2.Card and PIN (4-digit PIN)+ # 3.User Address (5-digit) + PIN (4-digit Private PIN) + #	Yes	1,500	Yes	Yes	11	32	Yes
M6	Standalone	65,535	1.Card only (using 17* command to set Arming PWD as 0000) 2.Card and PIN (4-digit public PIN= Arming PWD)+ # 3.Card or PIN (4-digit public PIN=Duress code)	No	No	No	No	No	No	No
M8 (Default Value)	Networking/ Standalone	3,000	1.Card only 2.Card and PIN (4-digit Private PIN)+ # 3.Card or PIN (4-digit Private PIN)	Yes	1,500	Yes	Yes	11	32	Yes

※ Confirm the access mode by assessing the beep sounds while entering the Program Mode(M4-4 beeps/M6-6 beeps/M8-8 beeps)

※ M6: the user capacity can be 65535 because it only reads 5-digits **CARD CODE**, while in M4/M8 it reads both **SITE CODE** and **CARD CODE**(10 digits).

※ Default Card UID Length is 4 (Could not change by command and only be able to change by customized firmware)

C. Set up M4/M6/M8

Enter program mode → 04 *N# [N=4/6/8]

(Note : The modification of controller mode between M4/M8(networking) and M6(standalone) will reset the data, user data will be required to rebuild.)

Adding and Deleting Tag

M4/M8

Add New Tags

- **Add by Presenting Tags (apply to Single Tag or a Batch of Tags)**

※**Important Notice:** Please remember the last user address being added to make sure the old user data is not being over written with the new card in the future.

Add Non-consecutive Tags:

[Add single tag] Add a new tag for selected user address 100:

Enter program mode → 19 *00100 *00001# → Present the tag → Successfully added tag of user 100

[Add 2 additional tags] Add new tags to the following user address 101-102:

Enter program mode → 19 *00101 *00001# → Present (User 101) card → Present (User 102) card

→ Successfully added tags of user 101-102

[Add 10 additional tags] Add new tags to the following user address 103-112

Enter program mode → 19 *00103 *00001# → Present (User 103) card → Present (User 104) card → Present (...) card

→Present (User 111) card →Present (User 112) card →Successfully added tags of user 103-112

Add Consecutive Tags:

[Add 50 consecutive tags] Add 50 new tags with consecutive card number following user address 00050-00150:

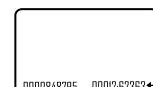
Enter program mode → 19 *00050 *001001# →Successfully added tags of user 50-150

Tag Information (125kHz) ※ For Mifare tags, the separator between Site Code & Card Code is comma ;



CARD CODE

SITE CODE



CARD CODE

SITE CODE

Suspend Tags

- **Suspend Single Tag or a Batch of Tags (by Card Code in Sequence)**

Input *123456# (or Master Code) → 10 * SSSSS * EEEEE #

[e.g.] Suspend by Card Code: 00058

Enter program mode → 10 * 00058 * 00058 #

[e.g.] Suspend by Card Code: 00058~00063

Enter program mode → 10 * 00058 * 00063 #

Delete Tags

- **Delete Single Tag or a Batch of Tags (by Card Code)**

Input *123456# (or Master Code) → 10 * SSSSS 9 EEEEE #

[e.g.] Delete by Card Code: 00058

Enter program mode → 10 * 00058 9 00058 #

[e.g.] Delete by Card Code: 00058~00063

Enter program mode → 10 * 00058 9 00063 #

- **Delete All Tags**

Input *123456# (or Master Code) → 29 * 29 * #

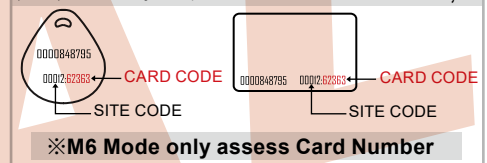
M6

The default value of access function of M6 is Card and PIN, it will have 3 beeps for hinting you input PIN number after card presentation. Access function modification please refer the table below:

Access Mode	Command	Description
Card and PIN	17 * ??? # 15 * 0000 #	????=4-digit PIN(0001~9999 ; default value=1234)
Card only	17 * 0000 # 15 * 0000 #	
Card or PIN	17 * 0000 # 15 * ??? #	????=4-digit PIN(0001~9999 ; default value=4321)

Tag Information

(125KHz) ※ For Mifare tags, the separator between Site Code & Card Code is comma ",".



Add New Tags

- **Add a Single Tag (by Presenting the Tag) :**

Input *123456# (or Master Code) → 22 * 1 #

[e.g.] Add single tag :

Enter program mode → 22 * 1 #

→ Present the tag to Access Controller → OK

- **Add a Batch of Tags (by Presenting the Tags):**

Input *123456# (or Master Code) → 22 * 1 #

[e.g.] There are 20 tags to add:

Enter program mode → 22 * 1 #

→ Present 20 tags one by one → OK

- **Add Single Tag (by Card Code) ※ Card Code should not be repeated**

Input *123456# (or Master Code) → 11 * SSSSS * EEEEE # → OK

[e.g.] Add one card with Card Code 61632

Enter program mode → 11 * 61632 * 61632 # → OK

- **Add a Batch of Tags (by Card Code) ※ Card Code should not be repeated
※ by Card Code in Sequence**

Input *123456# (or Master Code) → 11 * SSSSS * EEEEE # → OK

[e.g.] Add a batch of user with sequential Card Number of user address 12058 until 12559 (total 500 tags)

Enter program mode → 11 * 12058 * 12599 # → OK

Delete Tags

- **Delete Tag (by Presenting the Tag) :**

Input *123456# (or Master Code) → 22 * 0 #

[e.g.] Delete single tag :

Enter program mode → 22 * 0 # → Present the tag to Access Controller → OK

- **Delete Tags (by Card Code) :**

Input *123456# (or Master Code) → 10 * SSSSS 9 EEEEE # → OK

[e.g.] Delete a tag with card code 62362

Enter program mode → 10 * 62362 9 62362 # → OK

- **Delete All Tags:**

Input *123456# (or Master Code) → 29 * 29 * #

Operation process

D. Set up the password

- **M4/M8: Private PIN**

Card or PIN: Enter program mode → 12 * UUUUU * PPPP # [e.g. User Address: 00001 and pass code: 1234, input 12 * 00001 * 1234 #]

Card and PIN: Enter program mode → 13 * UUUUU * PPPP # [e.g. User Address: 00001 and pass code: 1234, input 13 * 00001 * 1234 #]

- **M6: Public PIN**

Card or PIN: Enter program mode → 15 * PPPP # [Input 4-digit PIN, default value: 4321; PPPP=0000: cancel the function of simply inputting PIN to get access]

Card and PIN: Enter program mode → 17 * PPPP # [Input 4-digit PIN, default value: 1234; PPPP=0000: access mode will be "Card Only"]

E. Double Door Control (M4/M8)

Controller with a reader to perform the "Double Door Control".

Enter program mode → 28 * 064 # [064= Double Door Control]

F. Anti-pass-back (M4/M8)

Usually, anti-pass-back is commonly applied to parking areas in order to prevent from multi-entry with one card at a time, or to locations that need entry and exit control.

- **Enable controller**

Enter program mode → 20 * DDD # [128= Anti-pass-back(0=Disable; 1=Enable)/ 064=Entrance/Exit(0=Exit; 1=Entrance).]

[e.g.] Enable Anti-pass-back, and set to Exit door= (128 x 1) + (064 x 0) = 128

Enter program mode → 20 * 128 # (Please refer to function default value for details.)

- **Enable card**

Enter program mode → 26 * SSSSS * EEEEE * N #

[SSSSS= Starting User Address; EEEEE= Ending User Address; N=0(control)/ 1(Not control)/ 2(reset)]

[e.g.] Enable the anti-pass-back function of User Address from 00152 to 00684: 26 * 00152 * 00684 * 0 #

[e.g.] The anti-pass-back function of User Address 00154 has been enabled. After presenting the card to get in, the user doesn't present the card to leave. When s/he tries to present the card to get in again, since the in-in sequence violates the anti-pass-back rule, s/he will be rejected. To solve this problem, you can reset it as follows. Enter program mode → 26 * 00154 * 00154 * 2 # → Reset

G. Auto-Open Time Zone

Door will remain open after flashing one valid card. There are 2 time zones supported when Standalone, and 63 time zones when connected to AR-716-E. Please refer to paragraph [Function Default Value](#) below to ensure command 20 * DDD # / 24 * DDD # will not reset the functions that already had been changed.

- **Enable/Disable auto-open time zone**

Enter program mode → 20 * 004 # [004= enable Auto-Open Time Zone; 000= disable Auto-Open Time Zone]

- **Enable/Disable auto open door without presenting one valid card**

Enter program mode → 24 * 001 # [001=enable auto-open door without presenting one valid card : 000=disable auto-open door without presenting one valid card]

- **Set up auto-open time zone**

Enter program mode → 08 * N * HHMMhhmm * 7123456H #

N: 2 sets of auto-open zone (N=0=1st set; N=1=2nd set)

HHMMhhmm=Starting time to ending time (e.g. 08301200=08:30 to 12:00)

7123456H= 7 days of a week (Sun/Mon/Tue/Wed/Thu/Fri/Sat) + Holiday (H= 0: disable; 1: enable); Holidays can be set via 701Client software.

[e.g.] To set the second time zone as 9:30 AM to 4:20 PM, Monday, Wednesday and Friday: 08 * 1 * 09301620 * 01010100 # → Done

H. Lift control

Connect with **AR-401-RO16** to control access floors of users.

• **Enable**

Enter program mode → 24 * 002 # [002= enable lift control]

• **Single floor**

Enter program mode → 27 * UUUUU * FF #

UUUU=User Address FF=Floor number (01~32 floor)

[e.g.] User Address NO. 45, allowed to access the 24th floor: 27 * 00045 * 24 #

• **Multi floors**

Enter program mode → 21 * UUUUU * S * FFFFFFFF #

[UUUUU=User Address S: 4 sets of lift control (Input: 0~3) FFFFFFFF: 8 floors setting (F=0: Disable, F=1: Enable)]

[e.g.] User Address NO. 168, only to the 6th and the 20th floor:

Enter program mode → 21 * 00168 * 0 * 00100000 # → 21 * 00168 * 2 * 00001000 #

Please refer to below floor chart

Set	Floor/ Stop							
	F	F	F	F	F	F	F	F
0	8	7	6	5	4	3	2	1
1	16	15	14	13	12	11	10	9
2	24	23	22	21	20	19	18	17
3	32	31	30	29	28	27	26	25

I. Setting Up the Arming

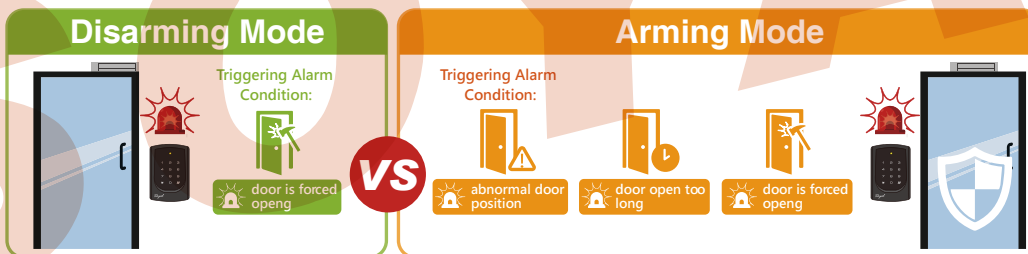
In the security management of access control system, the controller or reader status is divided into Standby Mode or Disarming Mode and Arming Mode. The conditions for triggering the alarm in these two modes is different, as shown in the following comparison:

• **Alarm conditions:**

1. Door is forced open

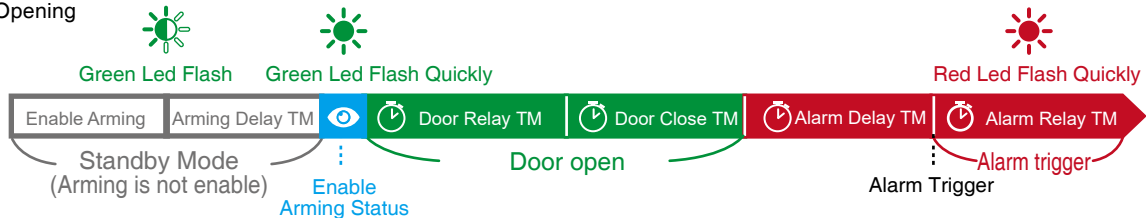
• **Application:**

- 1. Door open too long:** Door is open longer than door relay time plus door close time.
- 2. Force open** (Opened without a valid user card): Access by force or illegal procedure.
- 3. Door position abnormal:** Arming is enabled and the power is suddenly off then on.

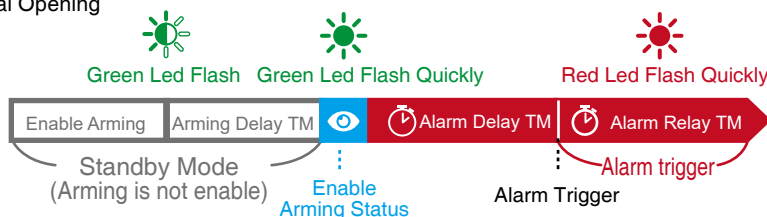


• **Arming Setting and Alarm Trigger Procedure :**

1. Normal Opening



2. Abnormal Opening



• **Enable/Disable Arming status (for M4/M8):**

Enter Programming Mode	
Enable: Enter program mode → * * #	
Disable: Enter program mode → * #	

Without Enter Programming Mode (Standby Mode): Enter Arming Code (default value of arming PWD is: 1234)
After door open : The normal procedure to open door → Input 4-digit arming PWD → #
Do not open the door : * → Input 4-digit arming PWD → Present a valid card

- ※ [The normal procedure to open door] can refer to [Access Mode].
- ※ Read the [Command List-Arming /Duress Function Setting] below to modify arming PWD.
- ※ M6 is Standalone Mode, the mode is without Arming /Duress Function.

More Details:

- [SOYAL Security Related Function](#)

Function Default Value

AR-888-H

20 * DDD #					※Default Value
Function	Selection		Value	Application	
Time Attendance	※0: Yes	1: No	001	Networking	
Auto Relock	※0: Disable	1: Enable	002	Networking/Standalone	
Auto Open	※0: Disable	1: Enable	004	Networking/Standalone	
Exit by RTE Button	0: Disable	※1: Enable	016	Networking/Standalone	
Master Controller of Network	※0: Slave	1: Mater	032	Networking	
Entrance/Exit	※0: Exit	1: Entrance	064	Networking	
Anti-pass-back	※0: Disable	1: Enable	128	Networking	

28 * DDD #					※Default Value
Function	Selection		Value	Application	
Double Door Control	※0: Disable	1: Enable	064	Networking/Standalone	
Force Open Alarm Output	0: Disable	※1: Enable	128	Networking/Standalone	

24 * DDD #					※Default Value
Function	Selection		Value	Application	
Auto Open without Presenting in Auto-open Time Zone	※0: Disable	1: Enable	001	Networking/Standalone	
Alarm Output/ Lift Control	※0: Alarm Output	1: Lift Control	002	Networking/Standalone	
Stop Alarm by pressing RTE Button or Closing the Door	0: None	※ 1: Yes	064	Networking/Standalone	
Doorbell	※0: Disable	1: Enable	128	Networking/Standalone	

34 * DDD #					※Default Value
Function	Selection		Value	Application	
Enable the RF after door sensor closed to GND	※0: Deactivate	1: Activate	001	Networking/Standalone	
Invalid card to activate alarm relay	※0: Deactivate	1: Activate	002	Networking/Standalone	
Turn off all sounds of beeper	※0: Deactivate	1: Activate	003	Networking/Standalone	
Mute the sounds of egress button (RTE)	※0: Deactivate	1: Activate	004	Networking/Standalone	
Reserved	※0: Deactivate	1: Activate	016	Networking/Standalone	
Keep beeing while arming is enabled	※0: Deactivate	1: Activate	032	Networking/Standalone	
Door relay connected to AR-721RB (suited to models without relay built-in)	※0: Deactivate	1: Activate	064	Networking/Standalone	
Arm relay connected to AR-721RB (suited to models with relay built-in)	※0: Deactivate	1: Activate	128	Networking/Standalone	

Select the desired function, Weighted Value = Selection Index (0 or 1) x Value.
 [e.g.] DDD (total weighted value of all functions):
 Enable "Auto Open" + "Exit by RTE Button" + "Anti-pass-back" = 1*004 + 1*016 + 1*128 = 148; As a result of that, the command will be 20 * 148 #.

Factory Reset by its commands

Reset User Data	Reset User Data & Controller Parameter (incl. Master Code)	Reset User Data & Controller Parameter (incl. Master Code) & Reset Parameter Setting- SOR
Enter program mode → 29 * 29 * # → Exit the programming mode	Enter program mode → 29 * 20 * # → Exit the programming mode	Enter program mode → 29 * 21 * # → Exit the programming mode

※ If forgotten the current Master Code, Reset through software tools is required. Please refer to the FAQ for more detail : [How to change or reset different kinds of Controller Settings, including Master Code, Parameter Setting and User Data?](#)

Flush-Mounted Series

Command List

	Function	Command	Description
Master Code Setting	Enter program mode	* P P P P P #	P P P P P=Master Code, default value=123456
	Master code setting	09 * P P P P P R R R R R #	P P P P P=6-digit new master code R R R R R=Reconfirm the new master code
Card Setting Commands	Suspend tag	10 * S S S S * E E E E #	* =Suspend 9 =Delete;
	Delete tag	10 * S S S S 9 E E E E #	S S S S=Starting User Address ; E E E E=Ending User Address
	Add a batch of sequential cards by inputting card number (M6)	11 * S S S S * E E E E #	S S S S=Starting card number E E E E=Ending card number
	Recover the suspended cards(M4/M8)	11 * S S S S * E E E E #	S S S S=Starting card number ; E E E E=Ending card number
	Card number modification(M4/M8)	16 * U U U U U * S S S S C C C C #	U U U U U= User Address; S S S S S=5-digit site code; C C C C C= 5-digit card code
	Add card by presenting(M4/M8)	19 * U U U U U * Q Q Q Q Q #	U U U U U=User Address; Q Q Q Q Q=Card quantity (00001: for adding a single card or a batch of random numbering cards)
	Add/Delete tag by presenting(M6)	22 * N #	N=0(Delete tag); N=1(Add tag)
	Delete all tags	29 * 29 * #	
	Enable/Disable Door open for any Tag	0 #	After enabling Door Open For Any Tag, all cards in same frequency as controller can pass directly.
Additional Card Function Setting	Mifare tag / card format (Optional) (M4/M8)	01 * N #	N:0=ISO14443A ; 1=ISO14443B 2=ISO15693 ; 3=1 Code1 ; 4=1 Code2 PS.1. Please select the transmission standard first. 2. Ensure both reader and card using the same transmission standard.
	Administrator Card setting (M4/M8)	07 * S S S S S * E E E E E # (07 * Starting User Address * Ending User Address #)	S S S S S-E E E E E=00000-00255 (Administrator Card can enter the program mode after present the card and press in 3 seconds, also can exit program mode by present the card.)
	Enable the security trigger signal (with AR-721RB)	34 * D D D #	Change the "Arming" to the security trigger signal, when controller is connected with AR-721RB. Please refer to function default value for details.
Access Mode Setting	Control mode setting	04 * N #	N=4: M4; N=6: M6; N=8: M8
	Card or PIN (M4/M8) Modify the PIN with user address, change the pass mode into Card or PIN	12 * U U U U U * P P P P #	Pass by Card or PIN; U U U U U=User Address; P P P P P=4-digit PIN (0001~9999); 0000=Set as card only
	Card and PIN (M4/M8) Modify the PIN with user address, change the pass mode into Card and PIN	13 * U U U U U * P P P P #	Pass by Card and PIN; U U U U U=User Address; P P P P P=4-digit PIN (0000~9999)
	Card or PIN(M6) Set up the mutual PIN in Card or PIN mode	15 * P P P P #	P P P P P=4-digit PIN(0001~9999 ; default value=4321)
	Card and PIN(M6) Set up the mutual PIN in Card and PIN mode	17 * P P P P #	P P P P P=4-digit PIN(0001~9999 ; default value=1234) 0000= Set as card only
Arming /Duess Function Setting (M4/M8 applicable , but not M6)	Setting duress PWD(M4/M8)	15 * P P P P #	P P P P P=4-digit PIN(0001~9999 ; default value=4321) ※The Duress Code 0000 means that disable Duress Function and the default value is set as 0000 already.
	Setting arming PWD(M4/M8)	17 * P P P P #	P P P P P=4-digit PIN(0001~9999 ; default value=1234)
Node ID Setting	Node ID setting (Connected to 716E)(M4/M8)	00 * N N N #	N N N=Node ID of Access Controller (range: 001~016)
	Node ID setting (Connected to the PC directly without 716E) (M4/M8)	00 * N N N * V V V * n n n #	N N N=Node ID of Access Controller (range: 001~254) V V V=Virtual 716E Node ID, n n n=Door number (range:001~254)
Time /Delay Setting	Door Relay Time setting	02 * T T T #	T T T=Door relay time 000= Output continuously 001~600=1~600 sec. 601~609=0.1~0.9 sec.
	Alarm Relay Time setting	03 * T T T #	T T T=Alarm relay time 000= Output continuously 001~600=1~600 sec.
	Arming Delay Time setting	05 * T T T #	T T T=the buffer time before entering arming mode 001~600=1~600 sec.
	Alarm Delay Time setting	06 * T T T #	T T T=the buffer time before the alarm is activated 001~600=1~600 sec.
	Arming Pulse Time setting	14 * T T T #	T T T=Arming output time; 000=output continuously 001~250=0.1~2.5 sec.
	Door Close Time	18 * T T T #	T T T=Door Close Time: 001~600=1~600 sec.; default value: 15 sec.
	Controller time clock setting	25 * Y Y M M D D H H m m s s #	Y Y M M D D H H m m s s=Year/ Month/ Day/ Hour/ Min./ Sec.
	Same tag reading interval time	31 * T T T T #	T T T T=10~6000 (Base on 10ms, range from 10 to 6000; default value: 1 sec. : 0100)

	Function	Command	Description
Controller Additional Function Setting	Reader additional setting	20 * DDD #	Please refer to function default value for details.
	Controller parameter setting	24 * DDD #	
	Double Door Control / Force Open Alarm	28 * DDD #	
	Auto-open time zone setting	08 * N * HHMMhhmm * 7123456H #	N= 0 (1st time zone) / 1 (2nd time zone) HHMM= Starting time; hhmm= ending time (i.e.: 08301600=08:30 to 16:00) 7123456H= 7 days of week (Sun/Mon/Tue/Wed/Thu/Fri/Sat)+ Holiday(H= 0: disable; 1: enable); Holidays can be set by 701Client software.
	Anti-pass-back (Enable user)	26 * SSSSS * EEEEE * N #	SSSSS=Starting User Address; EEEEEE=Ending User Address; N=0: Enable; N=1: Disable; N=2: Reset
Enable/Disable keypad lock	* # (simultaneously)	After enabling keypad lock function, press any button will only has two beeps and no reaction. Disable the keypad lock function will bring controller keypad function back to normal. (only Keypad Controllers have this function ex. AR-721-H; Touch Keypad Controllers do not have this function ex. AR-725-H)	
Lift Control Setting	Controller parameter setting	24 * 002 #	
	Lift control setting: multi-floor(M4/M8)	21 * UUUUU * S * FFFFFFFF #	UUUUU=User Address, S=4 sets of lift control (0~3); FFFFFFF=8 assigned floor(F=0: Disable, 1: Enable)
	AR-401RO16 Lift Relay Activated TM (M4/M8)	23 * NNN * TTT #	NNN=site number, TTT= relay time: 000~600=1~600 sec.
	Lift control setting: single floor(M4/M8)	27 * UUUUU * FF #	UUUUU=User Address; FF=Floor (01~32 floor)
Exit Program Mode	Exit program mode	* #	
	Exit program mode and enter arming mode(M4/M8)	* * #	
<p>※ More Details : Introduction of New Function Commands for Enterprise E Controller and Home H Controller</p>			

