

Specification & Feature

Model Name	AR-721-RB
Frequency	DI1
Voltage	12VDC
Power Consumption	40mA
Output contact	1 From C
	12A at 125VAC
	7A at 250VAC
	7A at 30VDC
Operating Temperature	-20°C to +70°C
Dimension (mm)	33.6(H) x 47.8(W) x 22.6(D)
N.W.(g)	approx.40

Functions:

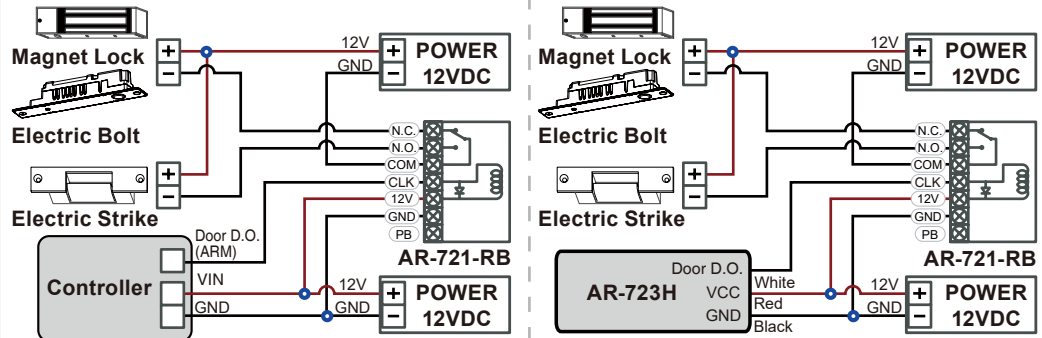
- To replace the traditional relay module and thus enhance security (Anti-theft & careless trigger)

Features:

- Support the input of N.O. Type Exit button
- Support the digital opening signal to enhance the security
- 4 sets of Delay relay time: 0.1, 3, 6, 9 seconds
- Easily set up delay time by DIP switch
- Output Contact Capacity of Relay up to 12A/125VAC, 7A/250VAC, 7A/30VDC

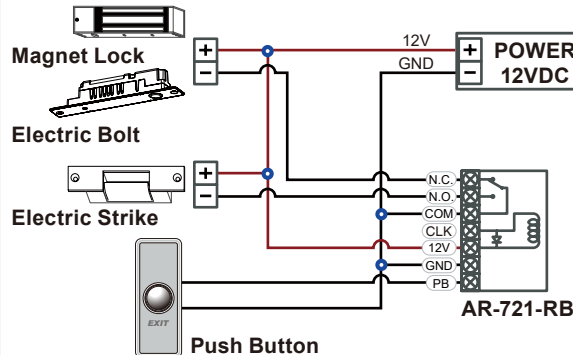
Diagram

Connect with controller:



※CLK: SOYAL Security Trigger Signal

Connected with Egress button:



Delay Time = 9 sec.

DIP_SW1	DIP_SW2	Delay Time
OFF	OFF	0.1 sec.
OFF	ON	3 sec.
ON	OFF	6 sec.
ON	ON	9 sec.