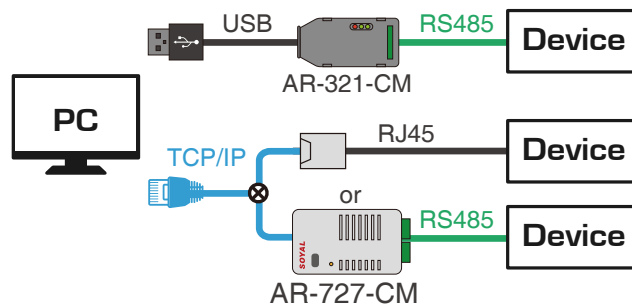
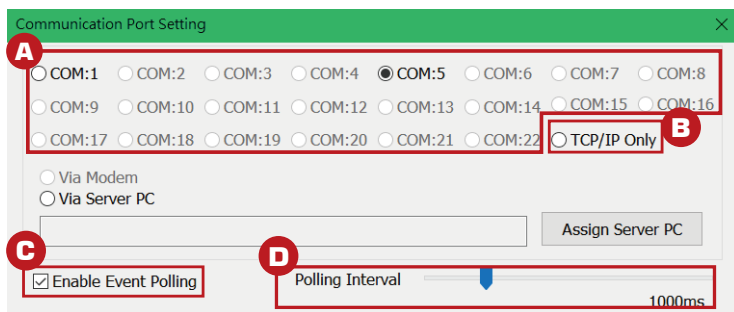
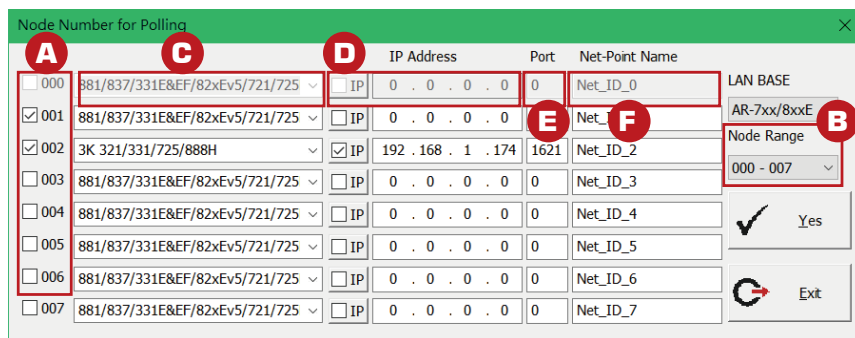


STEP 1. COM - Select your wiring method

- A B** Select your wiring method **C** Enable Event Polling **D** Polling Interval

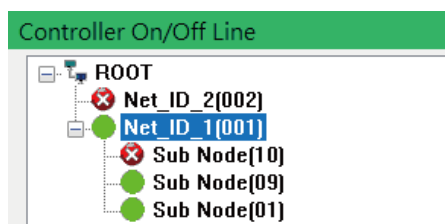


STEP 2. LAN - configuration of devices access point



- A** Node ID setting
B Node Range
C Selecting Controllers Type
D TCP/IP configuration
E Port Setting
F Net-Point Name

STEP 3. LINE – Connection Status



Through this page, you can monitor and see the real-time connection status for control panel and controller.

- **means online**; Hardware wiring and configuration setting is correct.
- ✘ **means offline**; Either hardware wiring or configuration setting is incorrect. (Please check the wiring by checking the manual again and check the configuration setting mentioned above)

STEP 4. Control Panel Setting

Control Panel setting for AR-716-E18 is set through → [7. 716E]

AR-716-E16 is set through → [721E]

If controller is online, you configure site plan via 701 Client Software.

Default Login Name: supervisor
 Default Password: supervisor
 Copyright SOYAL Technology

