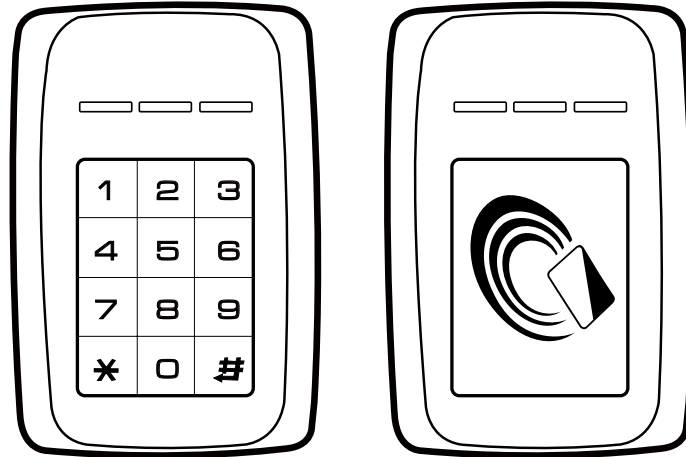


Vandal-proof RFID Access Reader

AR-321-K / AR-321-U



1. Product Features

- Flexible to integrate with SOYAL or other access control system
- 3 bi-color LED and 1 beeper for identification
- Built-in Watchdog to prevent system from hanging
- Interface of the Proximity Reader have WG and ABA-II etc., depending on the controller to make adjustments. And can optional the RS-232 or the RS-485

2. How to Order

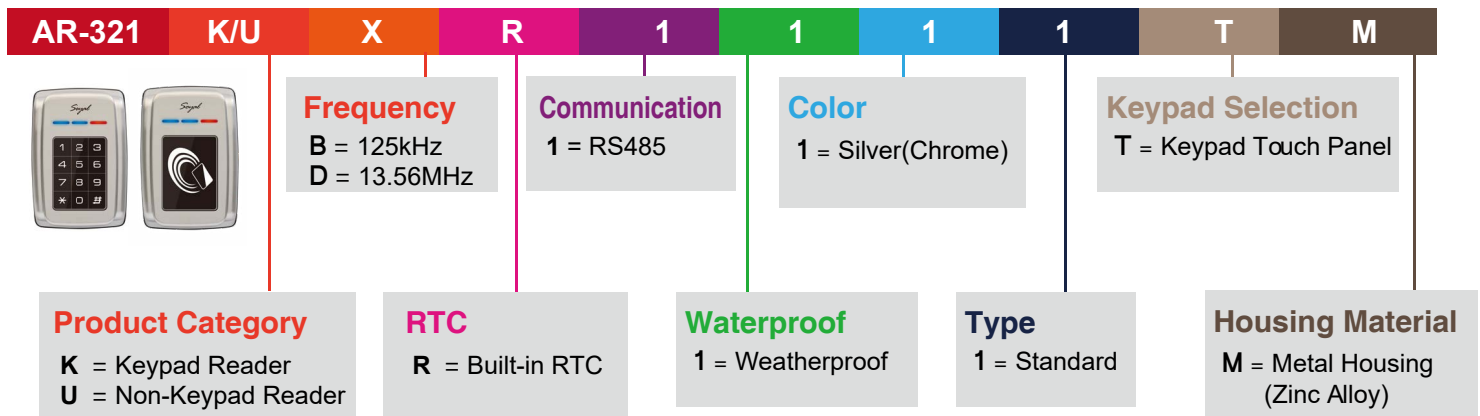


Table of Contents

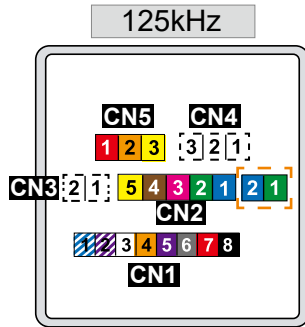
01. <u>Notice</u>	01
02. <u>AR-321KB Terminal Cable (125kHz)</u>	02
03. <u>AR-321KB Terminal Cable (13.56MHz)</u>	02
04. <u>Installation</u>	03
05. <u>Contents</u>	03

SOYAL[®]

01. Notice

- 1. Tubing:** The communication wires and power line should NOT be bound in the same conduit or tubing.
- 2. Wire selection:** Use AWG 22-24 Shielded Twist Pair to avoid star wiring.
- 3. Power supply:** Don't equip controller and lock with the same power supply. The power for controller may be unstable when the lock is activating, that may make the controller malfunction.
The standard installation: Door relay and lock use the same power supply, and controller use independent power supply.

02. AR-321KB Terminal Cable (125kHz)



Cable: CN1

Wire Application	Wire	Color	Description
---	1	Blue White	---
---	2	Purple White	---
---	3	White	---
---	4	Orange	---
---	5	Purple	---
---	6	Gray	---
Power	7	Red	DC Power 12V
	8	Black	DC Power 0V (GND)

Cable: CN5

Wire Application	Wire	Color	Description
Tamper Switch	1	Red	N.C.
	2	Orange	COM
	3	Yellow	N.O.

Cable: CN2

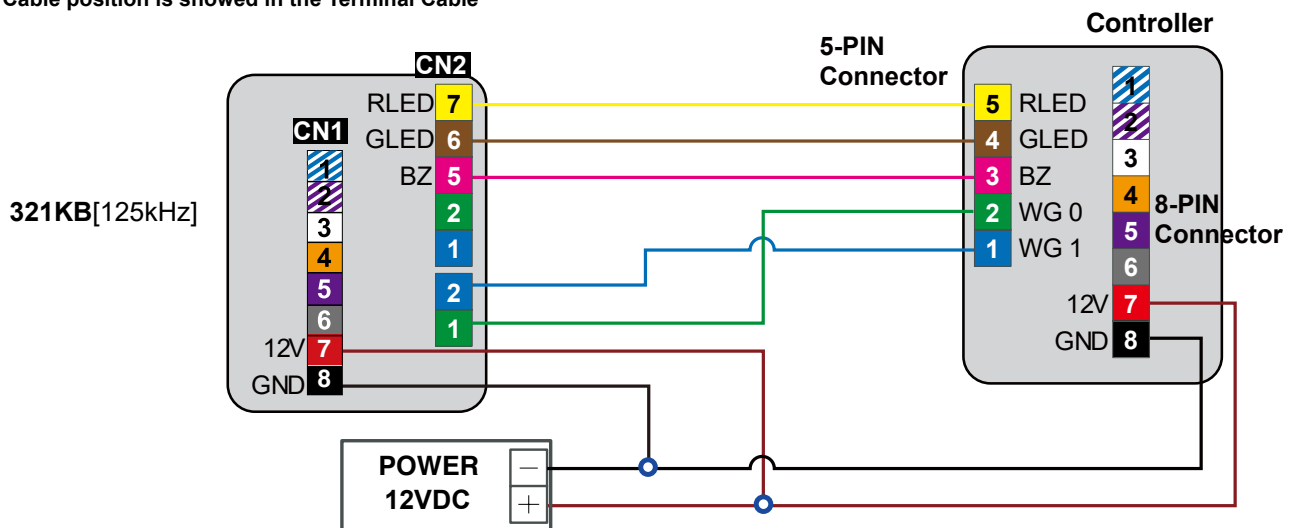
Wire Application	Wire	Color	Description
---	1	Blue	No Connection
---	2	Green	No Connection
Beeper	3	Pink	Beeper Input (Low Sound)
LED	4	Brown	LED Green Input (Low Bright)
	5	Yellow	LED Red Input (Low Bright)

Wiegand :

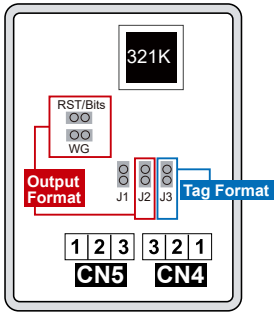
Wire Application	Wire	Color	Description
Wiegand	1	Green	Wiegand DAT: 0 Input ABA Format: Data
	2	Blue	Wiegand DAT: 1 Input ABA Format: Clock

EM(125kHz)

※ Cable position is showed in the Terminal Cable



AR-321-KB Wiegand Output Format (125kHz)

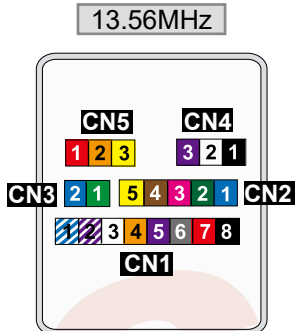


AR-321-KB

Wiegand Output Format			
Adjust wiring method: connect the orange wire (WG34) to ground.			
Output Format	WG	J2	RST/Bits
Wiegand 26 Bit	Open	Open	Open
Wiegand 34 Bit	Open	Open	Short
RS-232	Short	Open	Open
Magnetic (ABA 8 Digital)	Short	Open	Short
Magnetic(ABA 10 Digital)	Short	Open	Open

Tag Format	
Tag Format	J3
SOYAL Format	Short
EM Format [Default]	Open

03. AR-321KB Terminal Cable (13.56MHz)



Cable : CN1

Wire Application	Pin	Color	Description
---	1	Blue White	---
---	2	Purple White	---
---	3	White	---
Output Selection	4	Orange	SET2
	5	Purple	SET1
Card Present	6	Gray	Reading card Active Low
Power	7	Red	DC Power 12V
	8	Black	DC Power 0V

Cable : CN3

Wire Application	Pin	Color	Description
RS-485 Port	1	Green	RS-485(B-)
	2	Blue	RS-485(A+)

Cable : CN2

Wire Application	Pin	Color	Description
---	1	Blue	---
---	2	Green	---
Beeper	3	Pink	Beeper Output 5V/100mA, Low
LED	4	Brown	LED Green Output 5V/20mA, Max
	5	Yellow	LED Red Output 5V/20mA, Max

Cable : CN4

Wire Application	Pin	Color	Description
Tamper Switch	1	Red	N.C.
	2	Orange	COM
	3	Yellow	N.O.

Cable : CN5

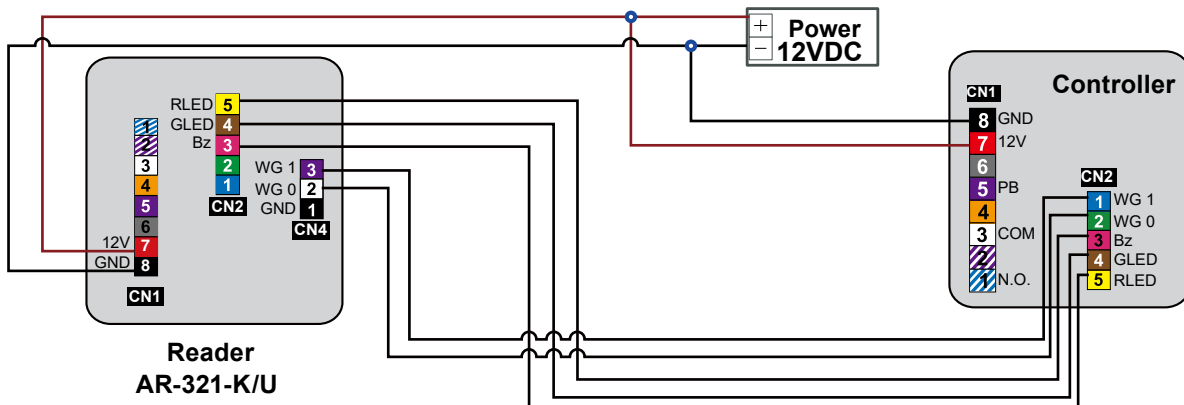
Wire Application	Pin	Color	Description
GND.	1	Black	GND.
	2	White	WG 0 Output
WG Output	3	Purple	WG 1 Output

WG/ABA Format

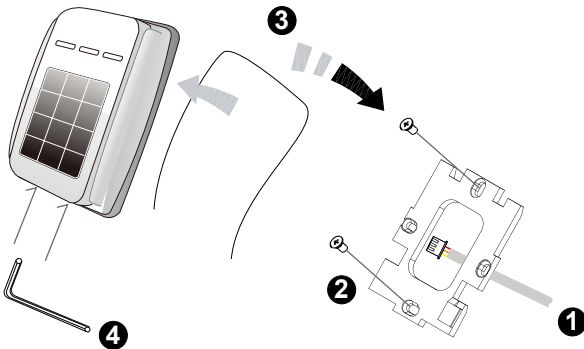
Adjust wiring method: connect the orange wire (WG34) to ground.

Format	SET 1	SET 2	Note
WG 26	Open	Open	HEX
WG 34	Open	To GND	HEX
ABA-10	To GND	Open	BCD10
ABA-5-5	To GND	To GND	BCD

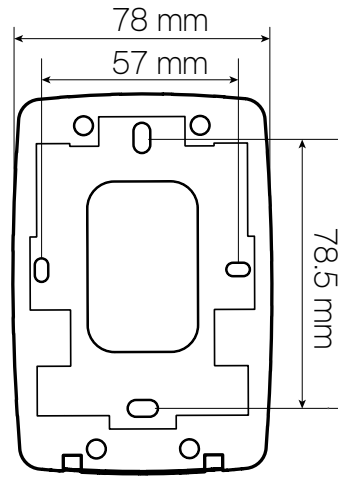
Mifare(13.56MHz)



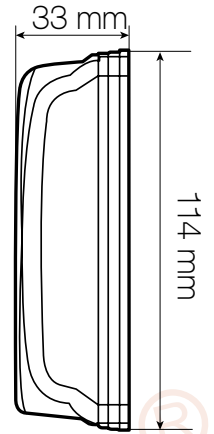
04. Installation



- Pull the cables from the square hole of the mounting plate.
- Use a screwdriver to screw the mounting plate onto the wall.
- Attach the water proof strip to the body, then connect the terminal cables to the body and attach the body to the mounting plate.
- Use the Allen key and screws (accessories supplied) to assemble the body onto the mounting plate.
- Turn on the power, and LED will light and beep will sound.



Front View



Side View

05. Contents

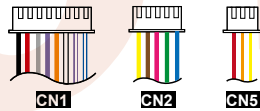
1 Product



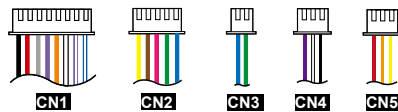
AR-321-K

AR-321-U

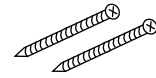
2 Terminal Cables [125KHz]



2 Terminal Cables [13.56MHz]



3 Tools



Flat Head Cap Philips
Tapping Screw: 4x38

4 Water proof Strip

