

Contents

AR-1213P

1 Product



Specification

- Voltage : 12VDC
- Current : 2A
- Temperature : -20°C ~ +55°C
- Type : Fail-Secure
- Pin Length : 20 mm
- Dimension : 73Lx67W13H(mm)
- Cable Length : 160mm
(Red/Black+ , Blue/White-)
- Cycle Time : 500,000 times
- Weight : 0.18kg

Features

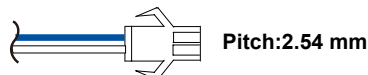
- The AR-1213P electric cabinet lock is a perfect design for cabinets having either swing or sliding doors. The cabinet lock can be surface mounted either vertically or horizontally and offers maximum flexibility for ease of installation.
- AR-1213P can also controlled by any existing access control system with multiple cabinet applications such as mail-box and club lockers.

Connector Table



SM Male connector 2PIN

Application	Wire	Color	Description
Power	1	Black	DC 0V(GND)
	2	Red	DC 12V



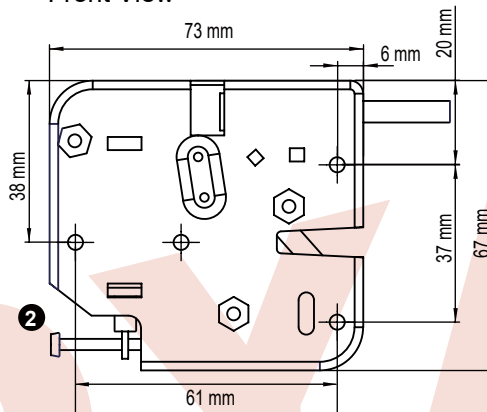
SM female connector 2PIN

Application	Wire	Color	Description
Lock cylinder Status	1	Blue	N.C.
	2	White	COM

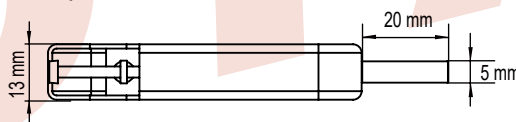
- Open circuit when unlocked.
- Short circuit when latched.

Dimension

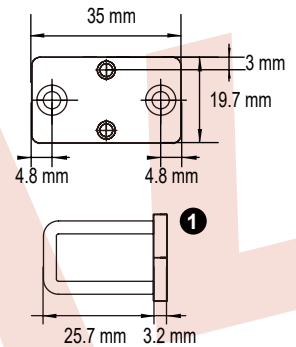
• Front View



• Top View



• Side View



• Operation:

1. Install lock holder on the door of cabinet/locker.
2. Once triggered, the lock bolt will reach out to pop open the door.

Application

• Mailbox application

The cabinet lock can be surface mounted either vertically or horizontally and offers maximum flexibility for ease of installation.

