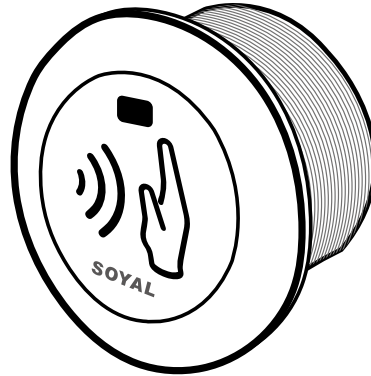


# Touchless Infrared Sensor Push Button (Anti-Interference)

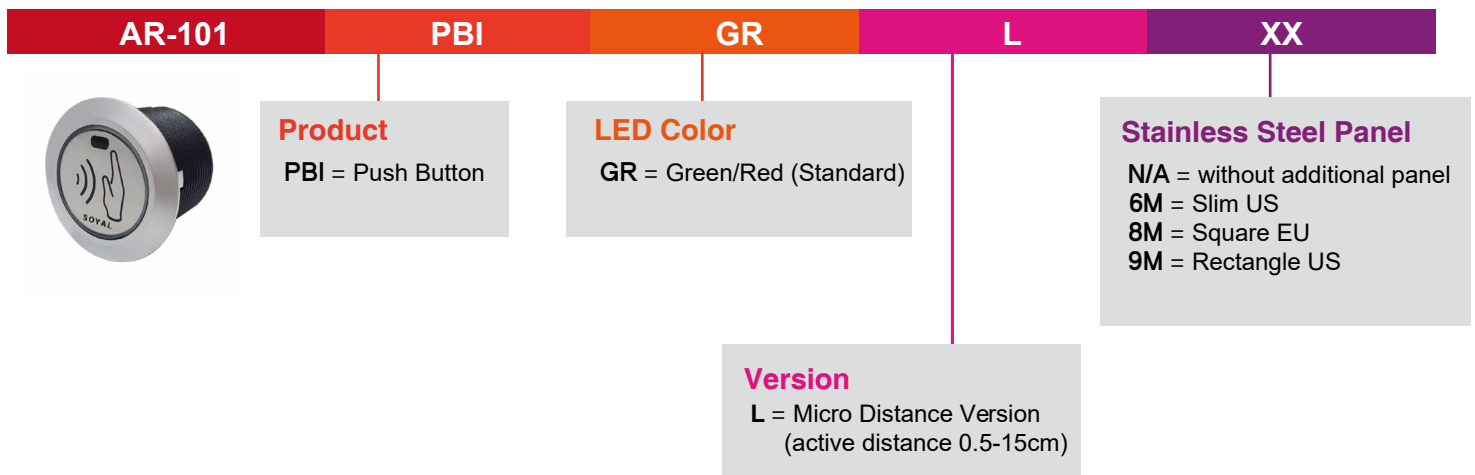
## AR-101-PBI-L



### 1. Product Features

- Suitable for installation as both door exit button.
- The sensing distance can be adjusted from 0.5cm to 8cm.

### 3. How to Order

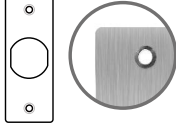
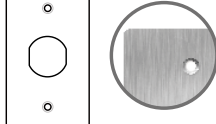
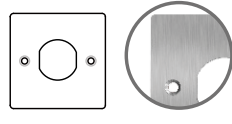
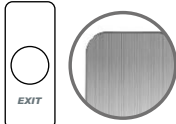

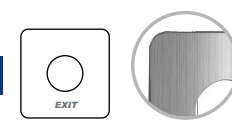


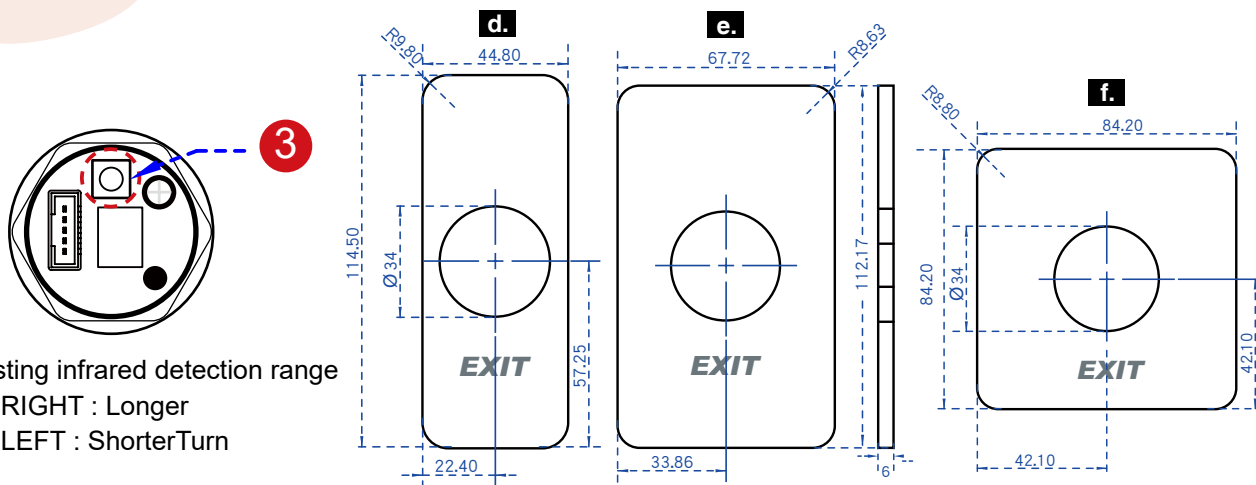
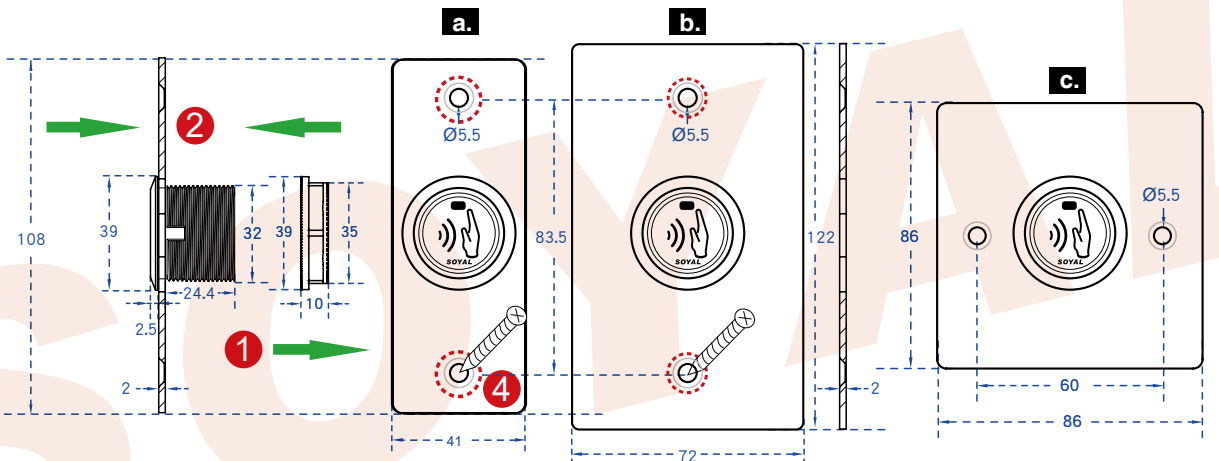
### Table of Contents

<b>01. <a href="#">Installation Instructions</a></b> .....	01
<b>02. <a href="#">Connector Table</a></b> .....	02
<b>03. <a href="#">Wiring Diagram</a></b> .....	02

## 01. Installation Instructions

### Panel Style

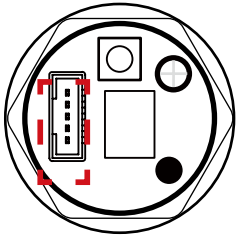
Panel Type		Slim Type	Rectangle US Type	Square EU Type
Stainless steel plate	Picture	<b>a.</b> 	<b>b.</b> 	<b>c.</b> 
	Model	DMET-101PJ01	DMET-101PJ05	DMET-101PJ03
Plastic panel	Picture	<b>d.</b> 	<b>e.</b> 	<b>f.</b> 
	Model	AR-PB-6A	AR-PB-7A	AR-PB-8A



Adjusting infrared detection range  
 Turn RIGHT : Longer  
 Turn LEFT : Shorter

- Installation:**
- 1** Remove the black ABA Screw Nut from Button
  - 2** Install Button to the selected mounting plate.
  - 3** Adjust detection range of infrared sensor
  - 4** Use a screwdriver to screw the mounting plate on the wall.

## 02. Connector Table



\*When POWER is not wired, AR-101-PBI-L become powerless, it can still open door by hard press it.

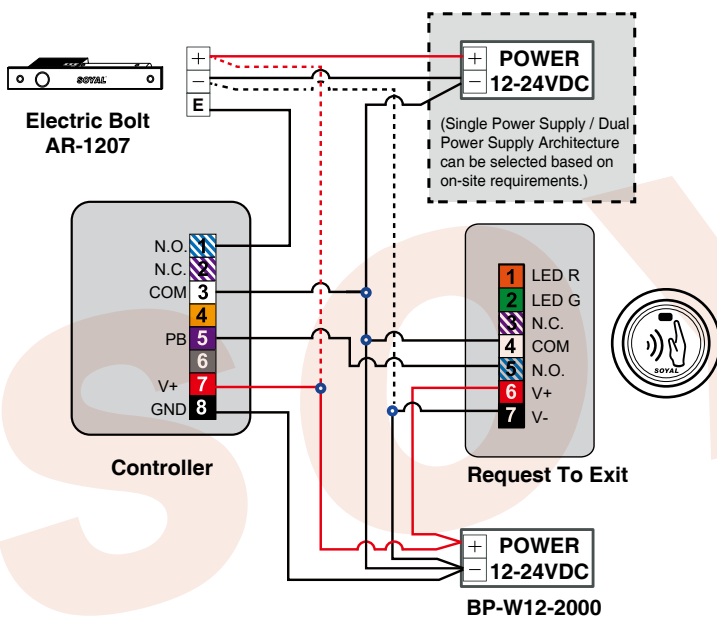
\*When powering on, the sensing area could not be shielded to avoid affecting the sensing distance.

Function	Cable	Color	Description	
			Before V2024/02	After V2024/02
LED R(Optional)	1	Orange	Standby - Red LED negative	Standby-Green LED negative
LED G(Optional)	2	Green	Swipe Valid Card-Green LED negative	Swipe Valid Card-Red LED negative
Relay	N.C.	3	Purple / White	DC24V / 1A
	COM	4	White	DC24V / 1A
	N.O.	5	Blue / White	DC24V / 1A
Power	6	Red	DC 9-24V	
	7	Black	DC 0V	

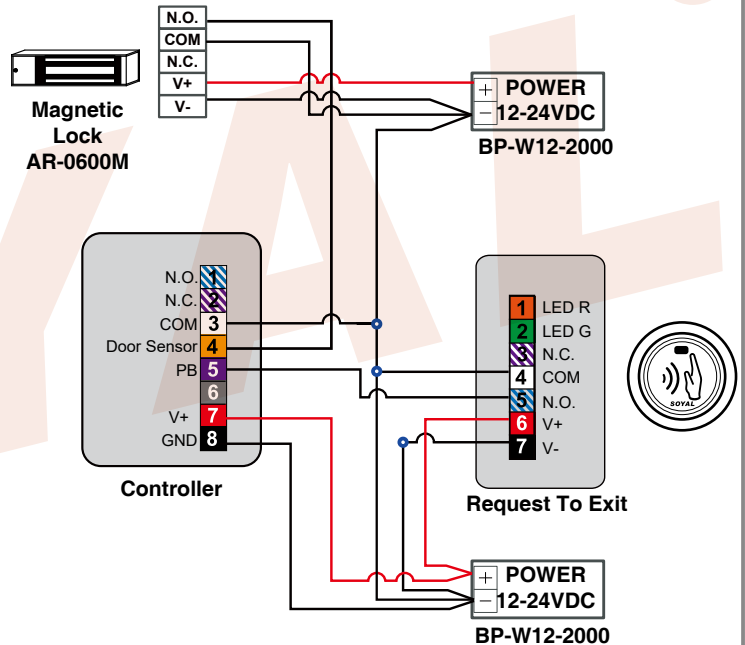
Controller has built-in resistor and connected to +5VDC, external power supply current must be exceeding 20mA

## 03. Wiring Diagram

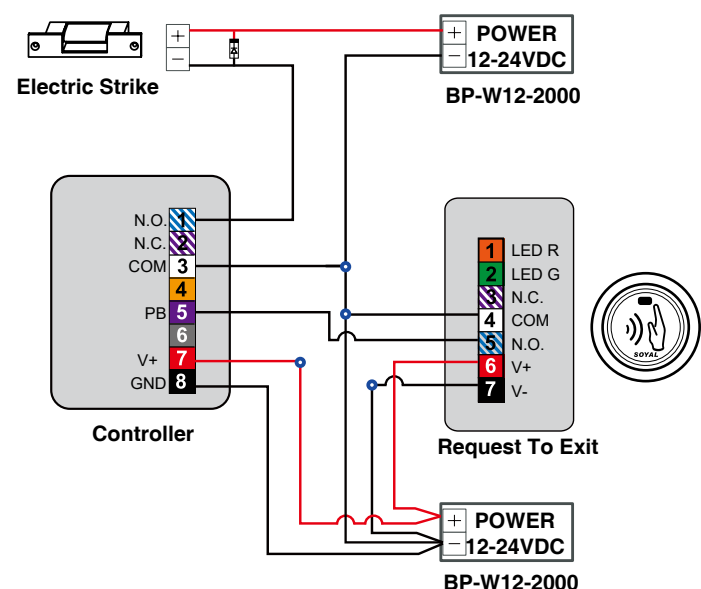
### Connect to Electric Bolt



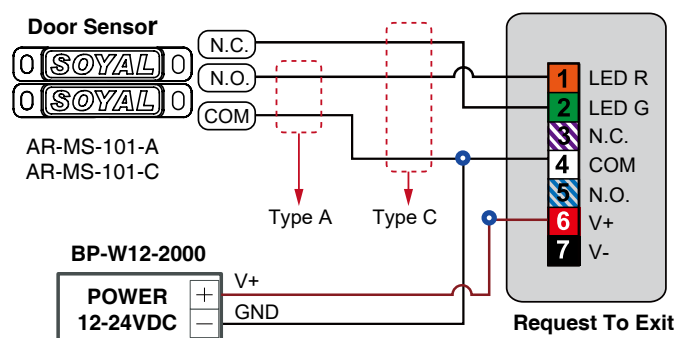
### Connect to Magnetic Lock



### Connect to Electric Strike



### The Wiring Diagram of LED R/G Door Status Indication



<b>Type A</b>	The magnetic circuit will be turned on when getting closed to the switch. (closed circuit). The magnetic circuit will be turned off after removed the magnet. (open circuit) Double contact-NO. / COM
<b>Type C</b>	Trigger LED R when door open Trigger LED G when door closed Triple contact - NO. / NC. / COM