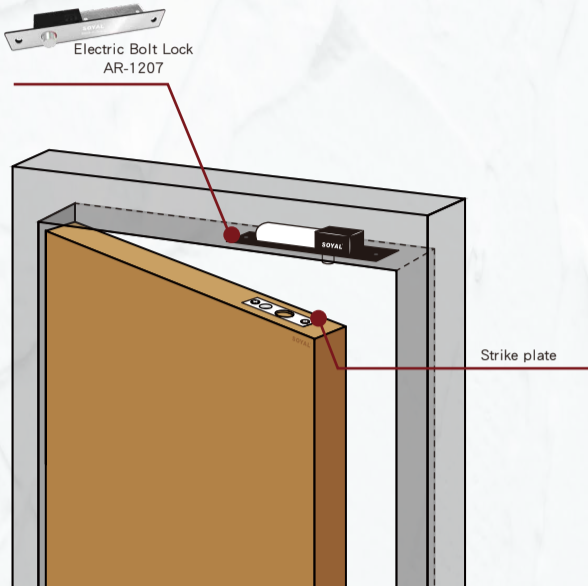


Select Correct Bracket for Electric Bolt Lock Installation

Mortise Mount (Standard Installation)

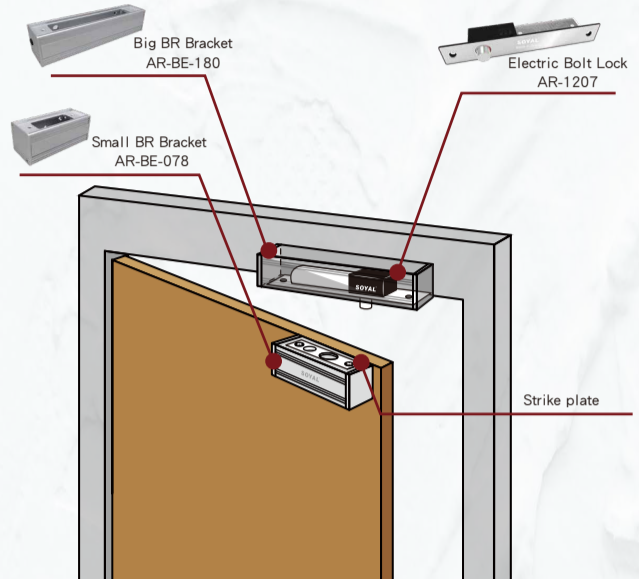
When lock body fit the door frame and strike plate fit in, it does not required to purchase additional accessories for installation



Surface Mount for Narrow Door

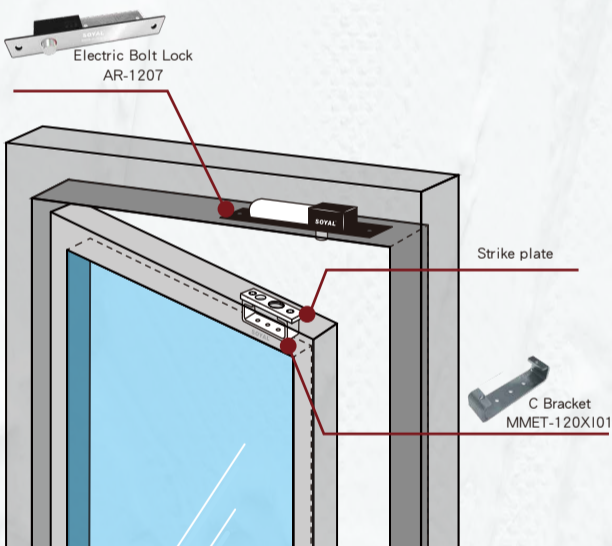
When door and door frame are narrow, lock body and strike plate does not fit, both lock body and strike plate must be installed inside a BR bracket.

Big BR Bracket AR-BE-180 for lock body
Small BR Bracket AR-BE-078 for strike plate



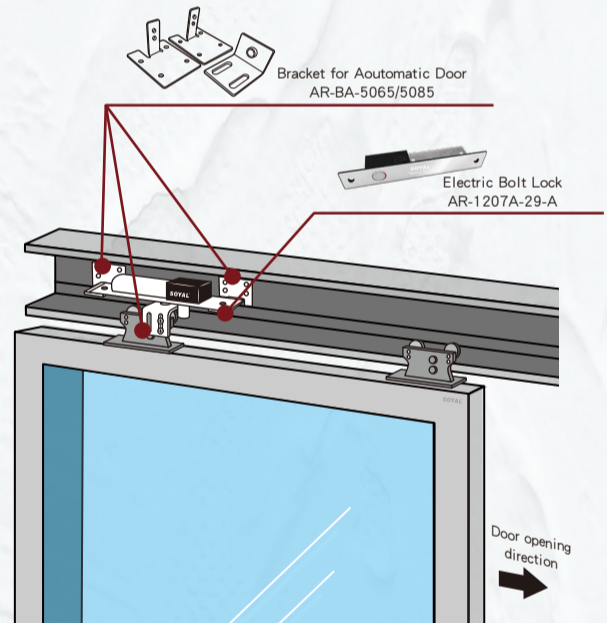
C Bracket Support for Strike Plate

C Bracket (MMET-120XI01) is installed as a bracket support for electric strike to increase the height of electric strike, commonly used for wooden door.



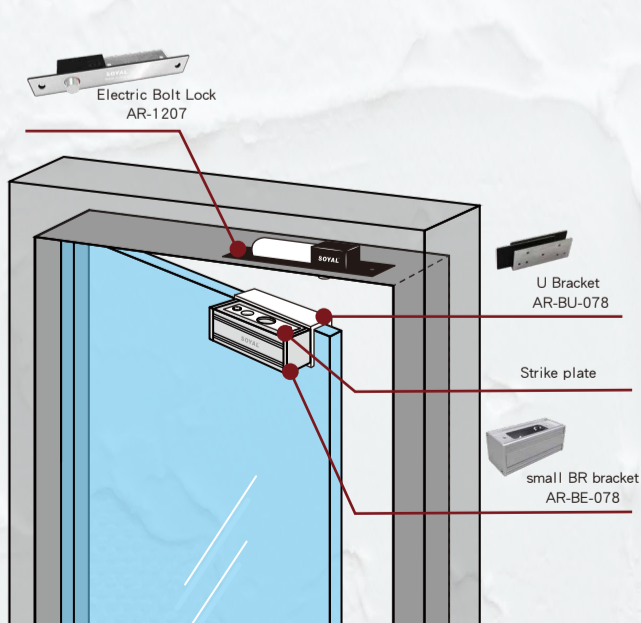
Angle Bracket for Automatic Door

Angle Bracket purchased with AR-1207A-29-A for Automatic Door feature.
AR-BA-5065 for door hanger with overall wide 65mm (no gap in between)
AR-BA-5085 for door hanger with overall wide 85mm



Glass Mount for Glass Door

When door is made out of glass and door frame is fit enough to install lock body, it requires small BR bracket AR-BE-078 mounted on U Bracket AR-BU-078 for strike plate.



Glass Mount for Glass Door and Frameless Glass Door

When both door and door frame is made out of glass, lock body and strike plate required to be installed in BR Bracket that mounted on U Bracket.

Big BR Bracket AR-BE-180 + Big U Bracket AR-BU-180 for lock body
Small BR Bracket AR-BE-078 + Small U Bracket AR-BU-078 for strike plate

