

# AR-723-H

## Access Controller

Standard 

Option 



Ingress Protection : IP56 (Optional)

Supports security trigger signal for relay active

Built-in Watchdog to prevent system from hanging

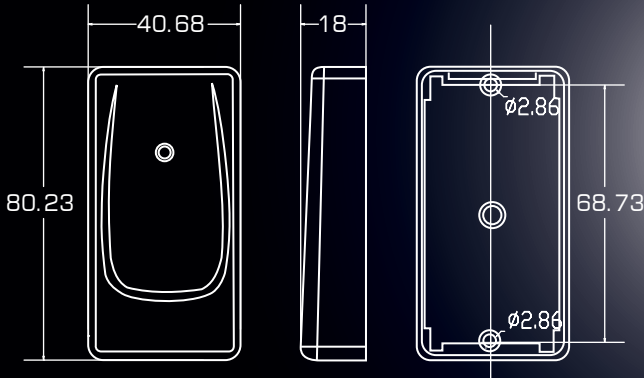
Have the "MASTER CARD" functions, convenient operation

Attach External Keyboard for operating instruction setting

AR-721RB relay output module, Support 4 delay time: 0.1, 3, 6, 9 sec.



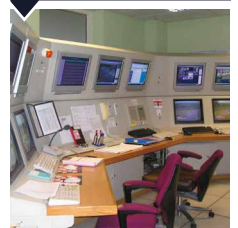
## Dimensions (mm)



### Parking Management



### Networking Center Control



## Application

### Gateway Control



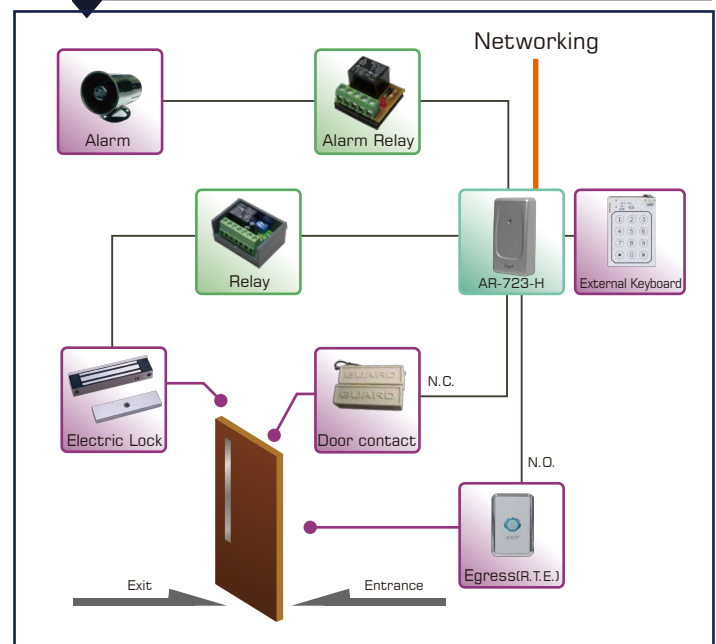
### Access Control



## Specification

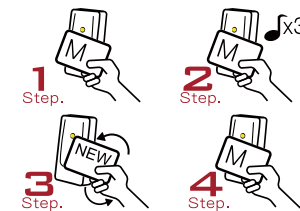
|                                      |  |   |
|--------------------------------------|--|---|
| Frequency                            | 125KHz   | 13.56MHz  |
| Standard                             | EM Standard  | ISO14443A<br>Option<br>ISO15693<br>DESFire<br>PSAM<br>NFC |
| Reading Range<br>( Depends on Tags ) | 5-12cm   | 2-8cm   |
| Power Supply                         | 9-24VDC  |   |
| Power consumption                    | < 1W   |   |
| Communication Interface              | RS-485   |   |
| Baud Rate                            | 9600 bps(N,8,1)  |   |
| Temperature                          | -20 °C to +65 °C   |   |
| Digital Input                        | Egress(R.T.E.) / Door contact                                      |   |
| Relay Output                         | External Relay   |   |
| Lock Relay Time                      | ON/OFF, 0.1-600 Sec.   |   |
| Alarm Time                           | Toggle, 1-600 Sec.   |   |
| Tamper Switch                        | Limit Switch (Form C)  |   |
| User Capacity                        | 1,024  |   |
| Event log                            | 1,200  |   |
| External Reader                      | 1 Wiegand Port   |   |
| Anti-pass-back                       | Yes ( M4/M8 Only )   |   |
| Lift Control                         | 32 Floors, 1,024 Users   |   |
| Serial port                          | Yes ( M4/M8 Only )   |   |
| LCD Panel                            | No   |   |
| Transistor Output                    | Arming LED (or Security trigger signal) / Alarm / Duress           |   |
| Ingress Protection                   | IP56 ( Option )  |   |
| Indicator                            | 1 Bi-Color LED & 1 Beeper  |   |
| Keypad Material                      | No (Option:AR-WG-KEYBOARD-M)                                       |   |
| Housing Material                     | ABS  |   |
| Time Zone                            | 11/63(Connect to Multi-Door Networking Controller)                 |   |
| Operation Mode                       | Standalone/ Networking   |   |
| Color                                | Black / Gray / Silver<br>Option:White/Blue/Green/Yellow/Orange/Red |   |
| Dimensions (mm)                      | 81(L)X43(W)X18(H)  |   |
| Weight (g)                           | 40±5   | 60±5  |

## Diagram of Basic application for single door



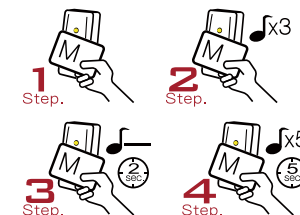
## About Master Card (Option)

### Adding Tag



1. Present Master Card
2. After 3 short beeps (Access programming mode)
3. Present one new card at a time
4. Present Master Card (Exit programming mode)

### Delete All Tags



1. Exit programming mode!
  2. After 3 short beeps (Access programming mode)
  3. 1 long warning beep after 2sec.
  4. 5 short beeps after 5 seconds → cards cleared
- P.S. Once MASTER CARD is presented after one warning beep, all card data will be cleared.